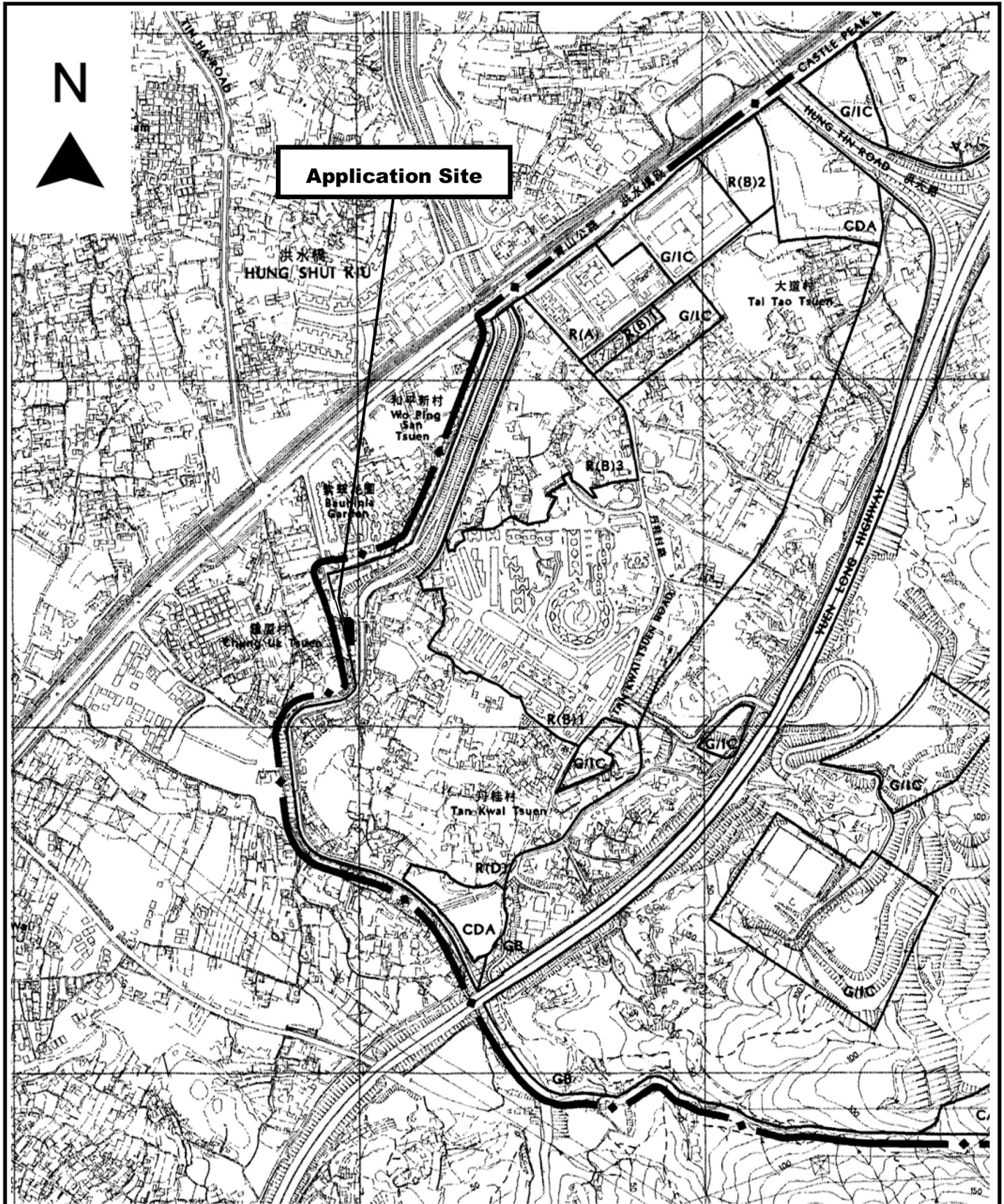


<p>Project 項目名稱: Proposed Temporary Shop and Services for a Period of 3 Years at Government Land in D.D. 124, Tin Tei Yan Road, Hung Shui Kiu, Yuen Long, N.T.</p>	<p>Drawing Title 圖目: Application Site</p>	<p>Remarks 備註: → Vehicular access leading from Tin Tei Yan Road</p>
	<p>Drawing No. 圖號: Figure 1</p>	<p>Scale 比例: 1:1000</p>



Project 項目名稱:

Proposed Temporary Shop and Services for a Period of 3 Years at Government Land in D.D. 124, Tin Tei Yan Road, Hung Shui Kiu, Yuen Long, N.T.

Drawing Title 圖目:

Location Plan

Remarks 備註:

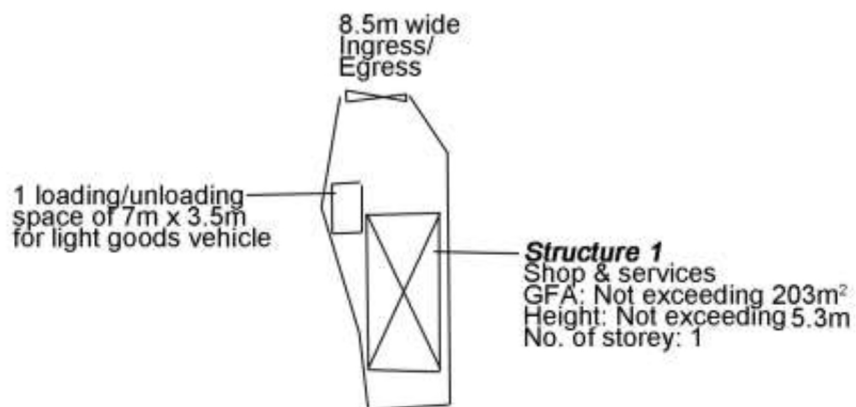
Drawing No. 圖號:

Figure 2

Scale 比例:

1:7500

N



Project 項目名稱:

Proposed Temporary Shop and Services for a Period of 3 Years at Government Land in D.D. 124, Tin Tei Yan Road, Hung Shui Kiu, Yuen Long, N.T.

Drawing Title 圖目:

Proposed Layout Plan

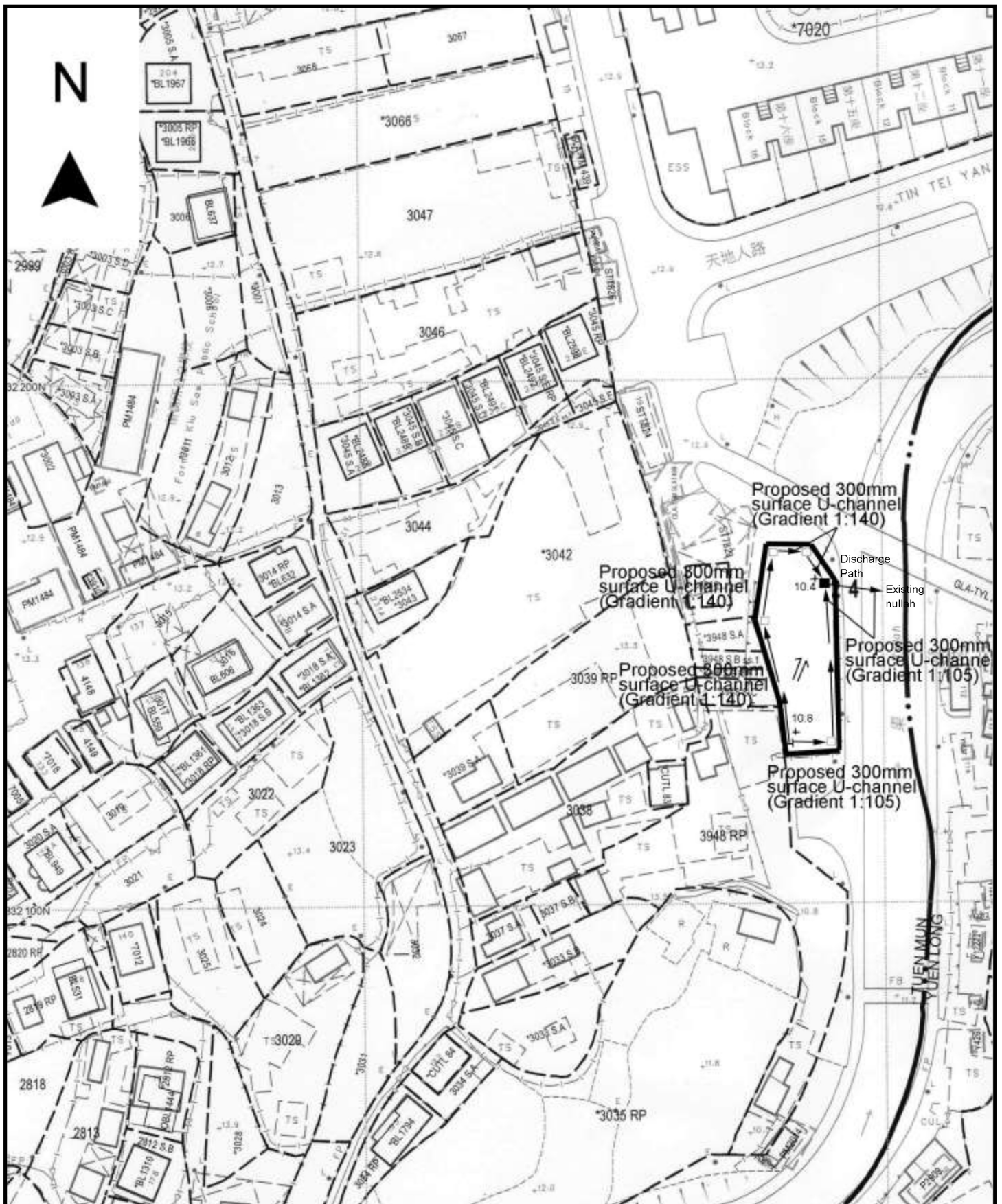
Remarks 備註:

Drawing No. 圖號:

Figure 3

Scale 比例:

1:1000



<p>Project 項目名稱: Proposed Temporary Shop and Services for a Period of 3 Years at Government Land in D.D. 124, Tin Tei Yan Road, Hung Shui Kiu, Yuen Long, N.T.</p>	<p>Drawing Title 圖目: Proposed Drainage Plan</p>	<p>Remarks 備註: +10.4 Level (in mPD) ← Flow of surface runoff □ Proposed catchpit ■ Catchpit SCH1011473</p>
	<p>Drawing No. 圖號: Figure 4</p>	<p>Scale 比例: 1:1000</p>