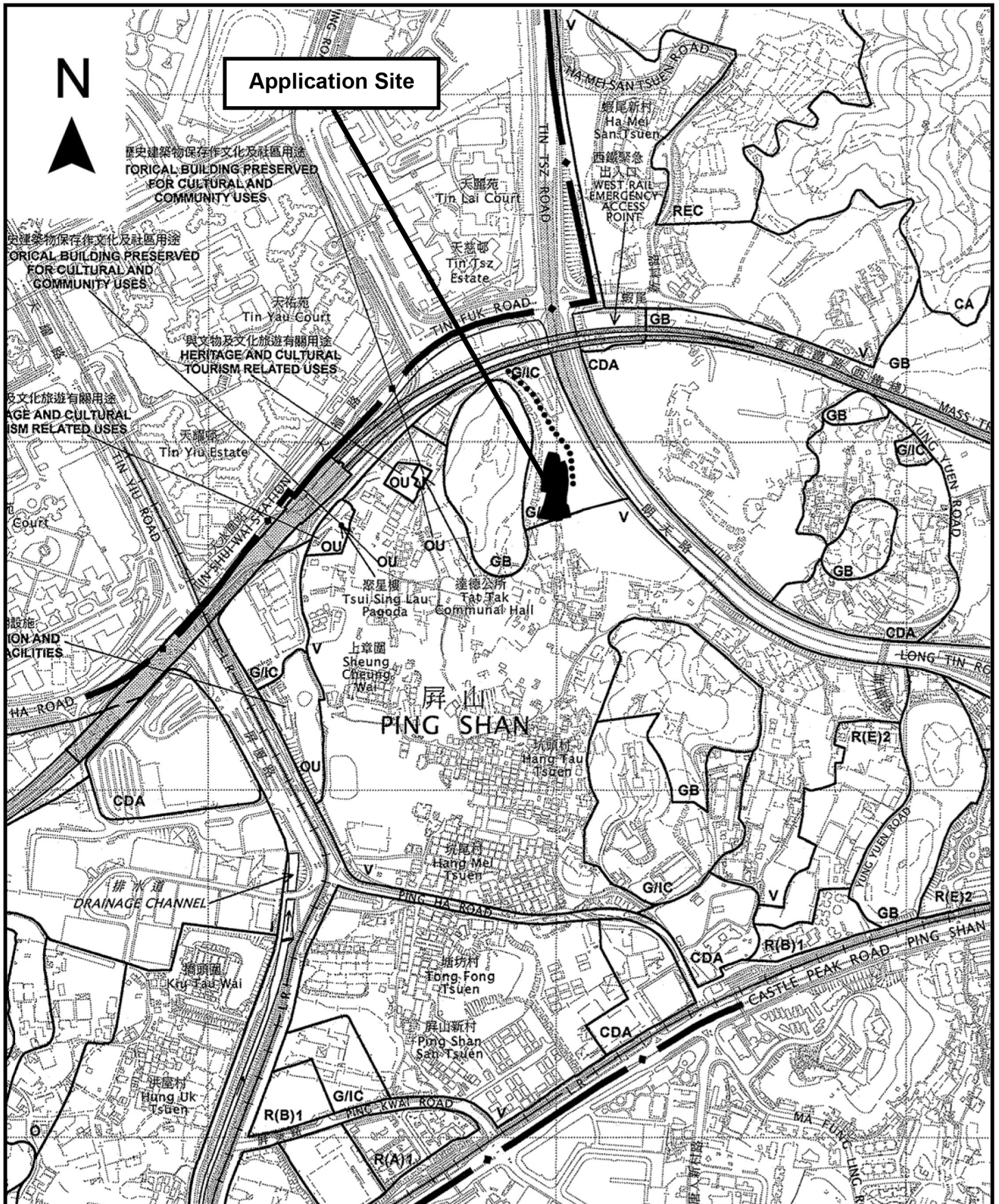
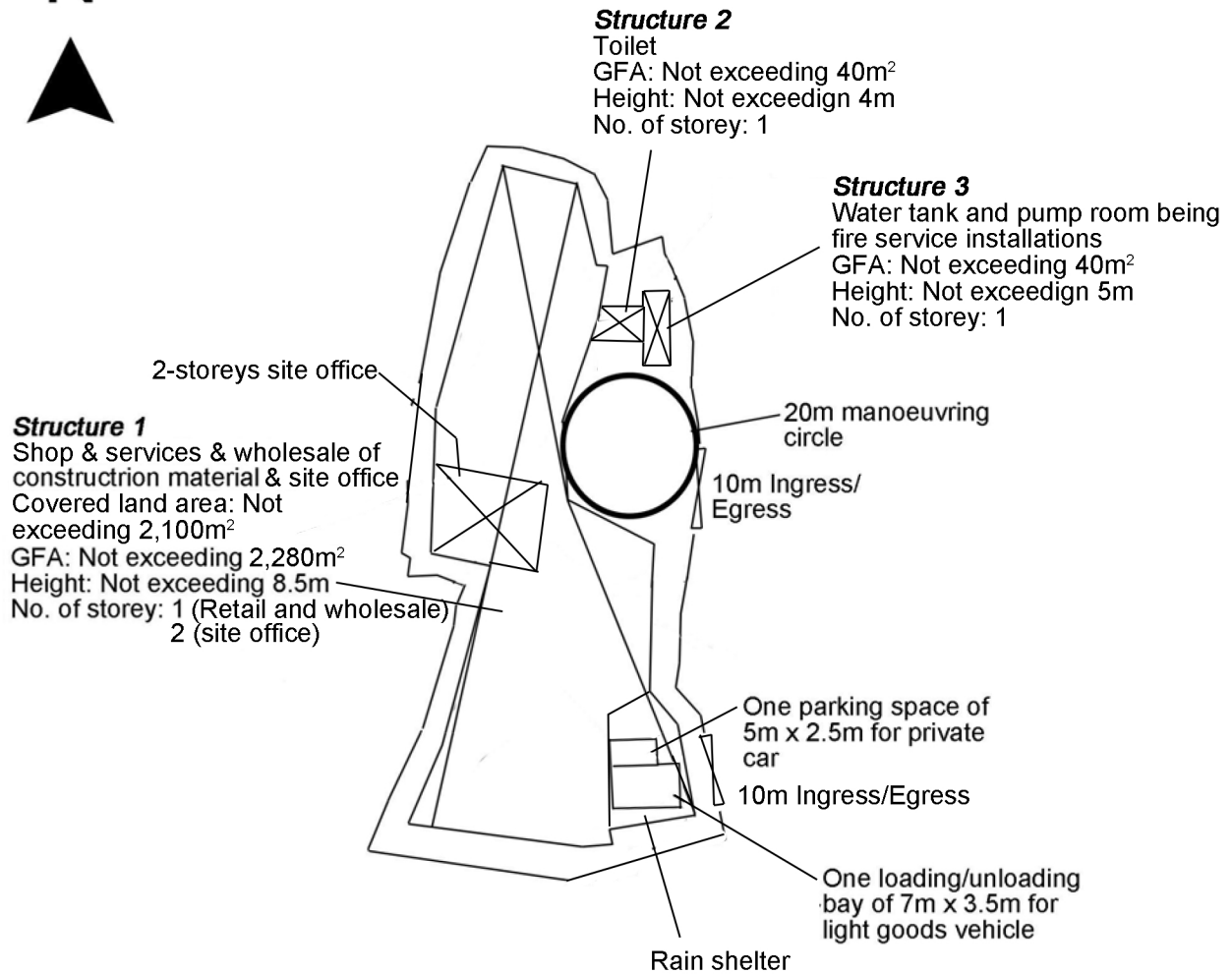


<p>Project 項目名稱:</p> <p>Temporary Shop & Services and Wholesale of Construction Material for a Period of 3 Years at Lots 256 (Part), 258 RP (Part) & 259 in D.D. 122, Ping Shan, Yuen Long, N.T.</p>	<p>Drawing Title 圖目:</p> <p>Site Plan</p>	<p>Remarks 備註:</p>
	<p>Drawing No. 圖號:</p> <p>Figure 1</p>	<p>Scale 比例:</p> <p>1:1000</p>



<p>Project 項目名稱:</p> <p>Temporary Shop & Services and Wholesale of Construction Material for a Period of 3 Years at Lots 256 (Part), 258 RP (Part) & 259 in D.D. 122, Ping Shan, Yuen Long, N.T.</p>	<p>Drawing Title 圖目:</p> <p>Location Plan</p>	<p>Remarks 備註:</p> <p>●●● Vehicular access leading from Tsui Sing Road</p>
	<p>Drawing No. 圖號:</p> <p>Figure 2</p>	<p>Scale 比例:</p> <p>1:7500</p>



Project 項目名稱:

Temporary Shop & Services and Wholesale of Construction Material for a Period of 3 Years at Lots 256 (Part), 258 RP (Part) & 259 in D.D. 122, Ping Shan, Yuen Long, N.T.

Drawing Title 圖目:

Proposed Layout Plan

Remarks 備註:

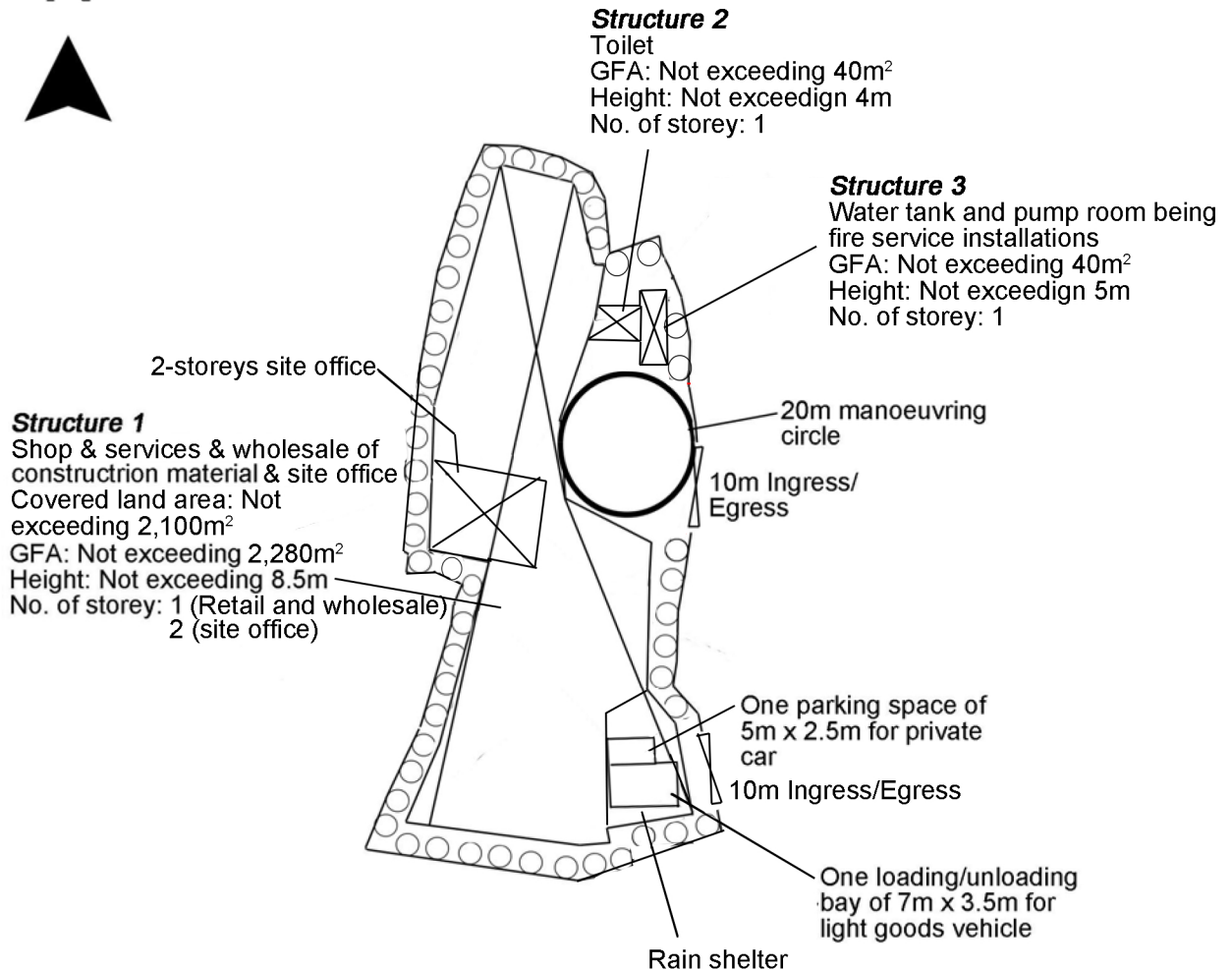
Drawing No. 圖號:

Figure 3

Scale 比例:

1:1000

Tree	Approximate Height	Spacing
○ Existing <i>Bauhinia blakeana</i> to be preserved	2.75m	4m



Project 項目名稱:

Temporary Shop & Services and Wholesale of Construction Material for a Period of 3 Years at Lots 256 (Part), 258 RP (Part) & 259 in D.D. 122, Ping Shan, Yuen Long, N.T.

Drawing Title 圖目:

Proposed Landscape Plan

Drawing No. 圖號:

Figure 4

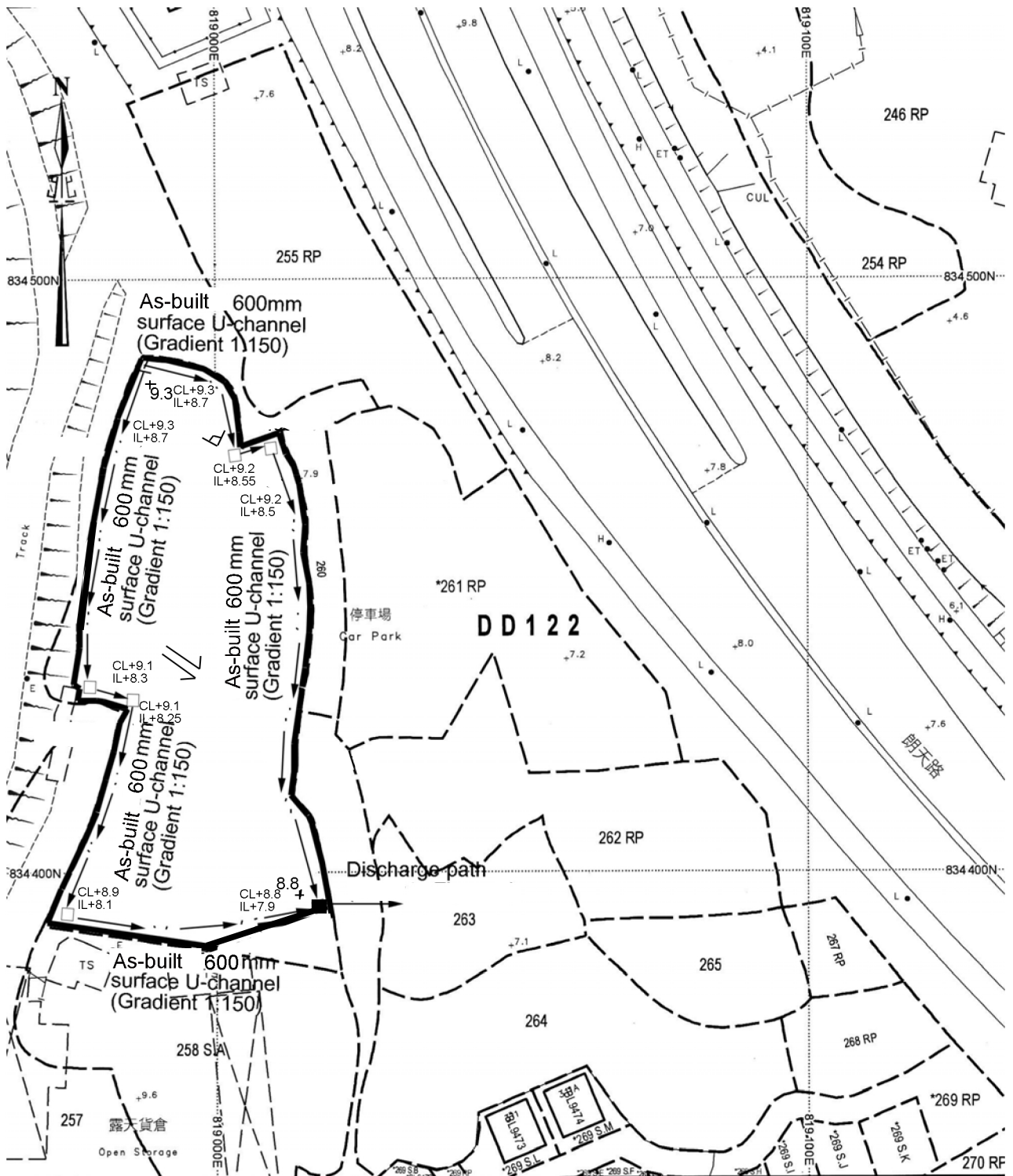
Remarks 備註:

Tree Preservation Measures:

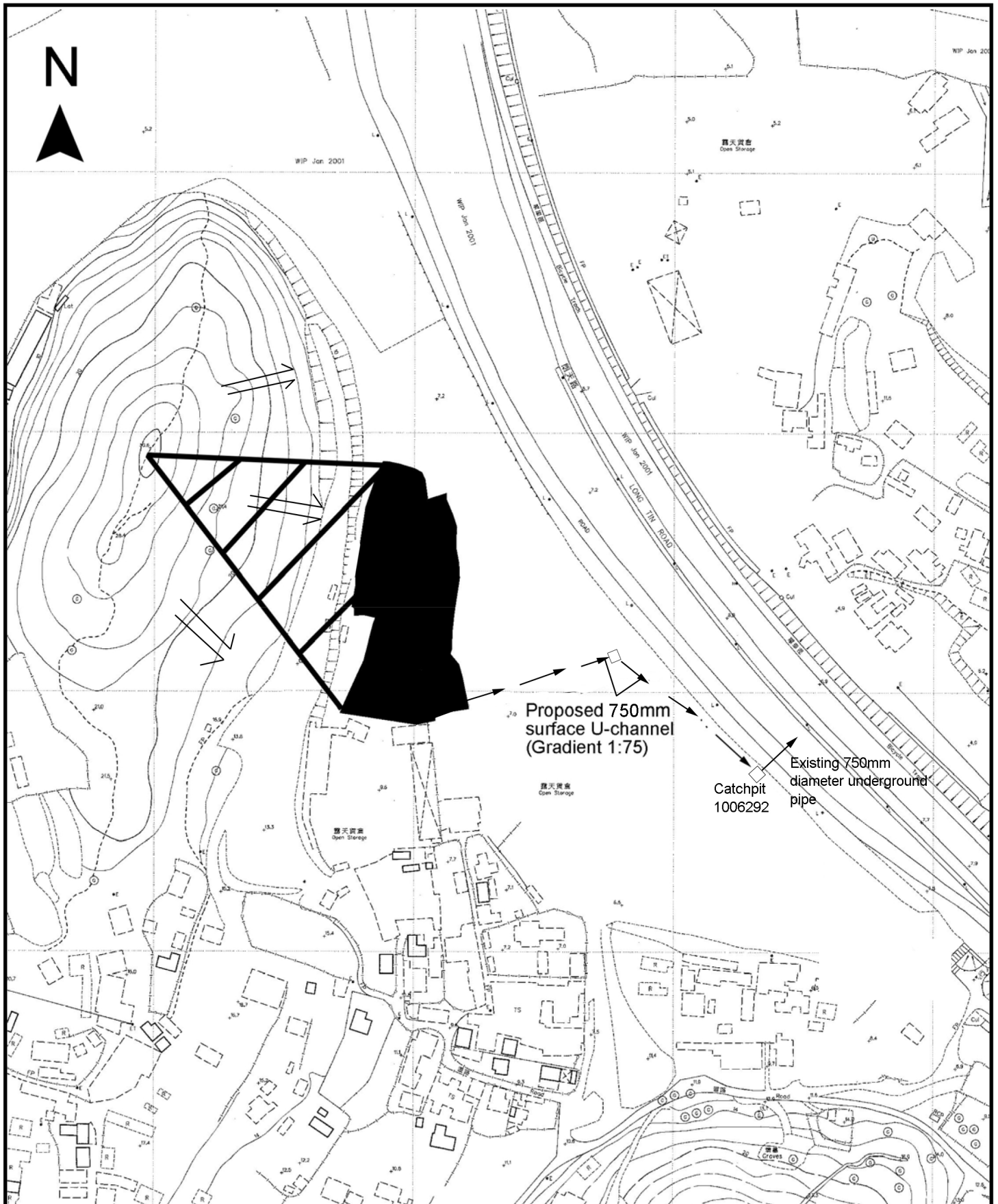
- (i) No open storage of materials/objects will be carried out within the 1m diameter of all the trees within the site boundary;
- (ii) Irrigate the trees at regular interval;
- (iii) Replace dead tree, if any; &
- (iv) Removal of weeds and climbers adjacent to the existing trees.



Scale 比例:

1:1000



<p>Project 項目名稱: Temporary Shop & Services and Wholesale of Construction Material for a Period of 3 Years at Lots 256 (Part), 258 RP (Part) & 259 in D.D. 122, Ping Shan, Yuen Long, N.T.</p>	<p>Drawing Title 圖目: As-built Drainage Plan</p> <p>Drawing No. 圖號: Figure 5</p>	<p>Remarks 備註: †9.3 Level (in mPD) ⇐ Flow of surface runoff □ Existing catchpit ■ Existing catchpit with sand trap Scale 比例: 1:1000</p>
---	---	--



<p>Project 項目名稱: Temporary Shop & Services and Wholesale of Construction Material for a Period of 3 Years at Lots 256 (Part), 258 RP (Part) & 259 in D.D. 122, Ping Shan, Yuen Long, N.T.</p>	<p>Drawing Title 圖目: Catchment Plan</p> <p>Drawing No. 圖號: Figure 6</p>	<p>Remarks 備註: ← Flow of surface runoff  External catchment  Application site</p> <p>Scale 比例: 1:2000</p>
---	---	--