

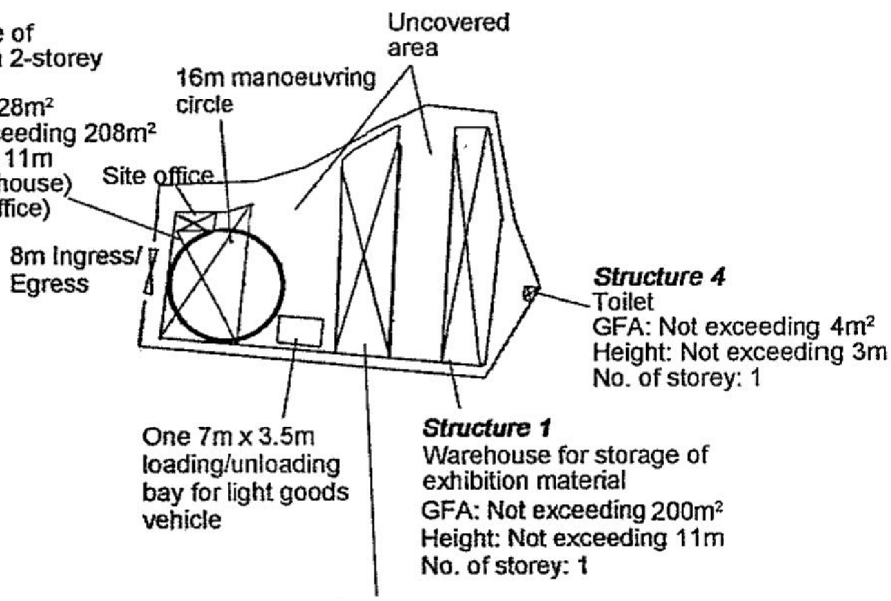
<p>Project 項目名稱: Proposed Temporary Open Storage & Warehouse for Storage of Exhibition Material for a Period of 3 Years at Lots 2387 RP(Part) & 2388 (Part) in D.D. 120, Yuen Long, N.T.</p>	<p>Drawing Title 圖目: Extract from OZP No.S/YL-TYST/12</p>	<p>Remarks 備註: ●●● Vehicular access leading from Kung Um Road</p>
	<p>Drawing No. 圖號: Figure 2</p>	<p>Scale 比例: 1:7500</p>

(摘錄自申請人於 1.4.2019 呈交的申請書)
 (Extract from Applicant's Submission of 1.4.2019)

<p>參考編號 REFERENCE No. AYL-TYST/962</p>	<p>繪圖 DRAWING A-1</p>
---	-----------------------------------



Warehouse 3
 Warehouse for storage of exhibition material with 2-storey site office
 GFA: Not exceeding 228m²
 Covered area: Not exceeding 208m²
 Height: Not exceeding 11m
 No. of storey: 1 (Warehouse)
 2 (Site office)



One 7m x 3.5m loading/unloading bay for light goods vehicle

Warehouse 2
 Warehouse for storage of exhibition material
 GFA: Not exceeding 225m²
 Height: Not exceeding 11m
 No. of storey: 1

Structure 1
 Warehouse for storage of exhibition material
 GFA: Not exceeding 200m²
 Height: Not exceeding 11m
 No. of storey: 1

Structure 4
 Toilet
 GFA: Not exceeding 4m²
 Height: Not exceeding 3m
 No. of storey: 1

Project 項目名稱: Proposed Temporary Open Storage & Warehouse for Storage of Exhibition Material for a Period of 3 Years at Lots 2387 RP(Part) & 2388 (Part) in D.D. 120, Yuen Long, N.T.	Drawing Title 圖名: Proposed Layout Plan	Remarks 備註:
	Drawing No. 圖號: Figure 3	Scale 比例: 1:1000

(摘錄自申請人於 1.4.2019 提交的申請書)
 (Extract from Applicant's Submission of 1.4.2019)

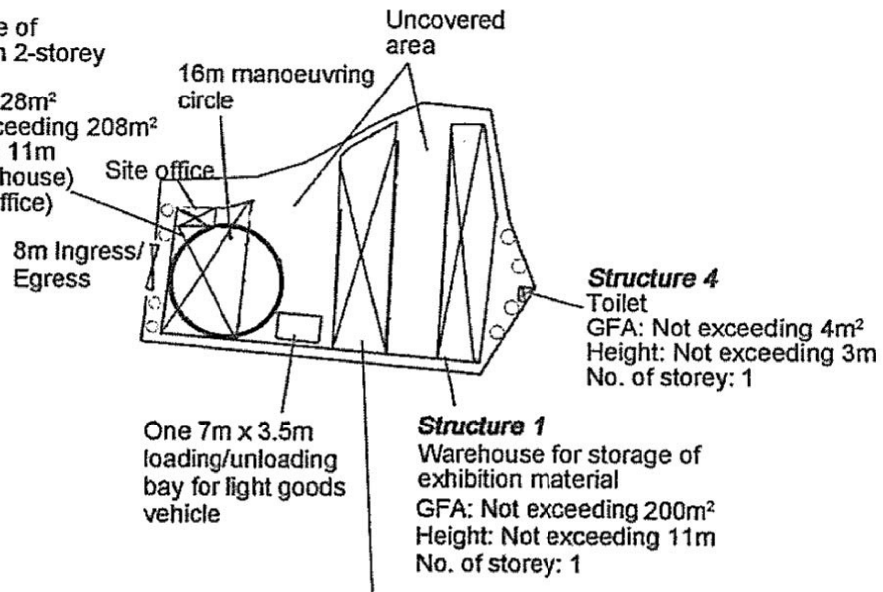
參考編號 REFERENCE No. A/YL-TYST/962	繪圖 DRAWING A-2
--	-------------------

Tree	Approximate Height	Spacing
○ Existing trees to be preserved	2.75m to 3.5m	3m to 4m



Warehouse 3

Warehouse for storage of exhibition material with 2-storey site office
 GFA: Not exceeding 228m²
 Covered area: Not exceeding 208m²
 Height: Not exceeding 11m
 No. of storey: 1 (Warehouse)
 2 (Site office)



One 7m x 3.5m loading/unloading bay for light goods vehicle

Warehouse 2

Warehouse for storage of exhibition material
 GFA: Not exceeding 225m²
 Height: Not exceeding 11m
 No. of storey: 1

Structure 1

Warehouse for storage of exhibition material
 GFA: Not exceeding 200m²
 Height: Not exceeding 11m
 No. of storey: 1

Structure 4

Toilet
 GFA: Not exceeding 4m²
 Height: Not exceeding 3m
 No. of storey: 1

Project 項目名稱:

Proposed Temporary Open Storage & Warehouse for Storage of Exhibition Material for a Period of 3 Years at Lots 2387 RP(Part) & 2388 (Part) in D.D. 120, Yuen Long, N.T.

Drawing Title 圖目:

Proposed Tree Preservation Plan

Remarks 備註:

Drawing No. 圖號:

Figure 4

Scale 比例:

1:1000

(摘錄自申請人於 1.4.2019 提交的申請書)
 (Extract from Applicant's Submission of 1.4.2019)

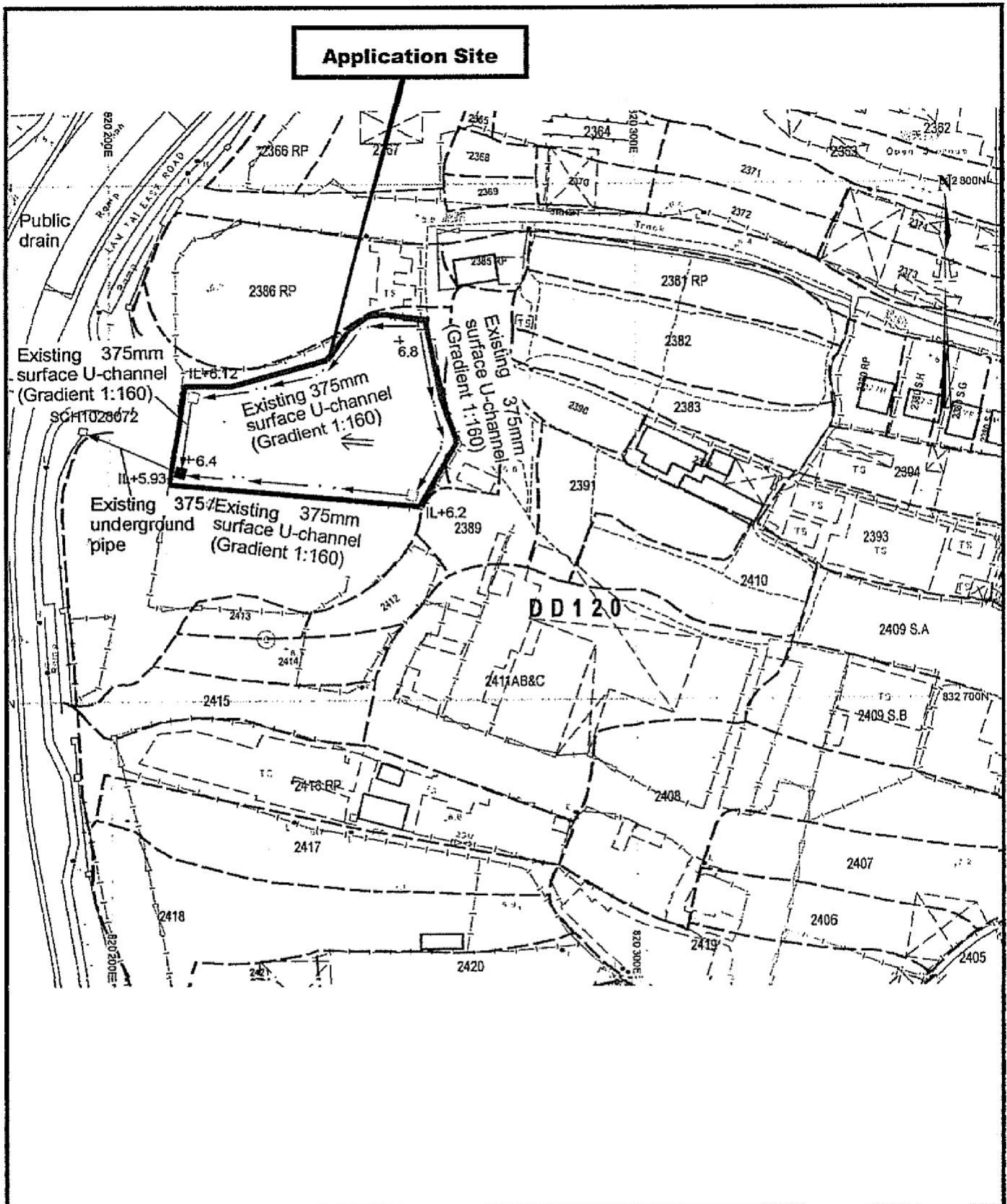
參考編號

REFERENCE No.

AYL-TYST/962

繪圖 DRAWING

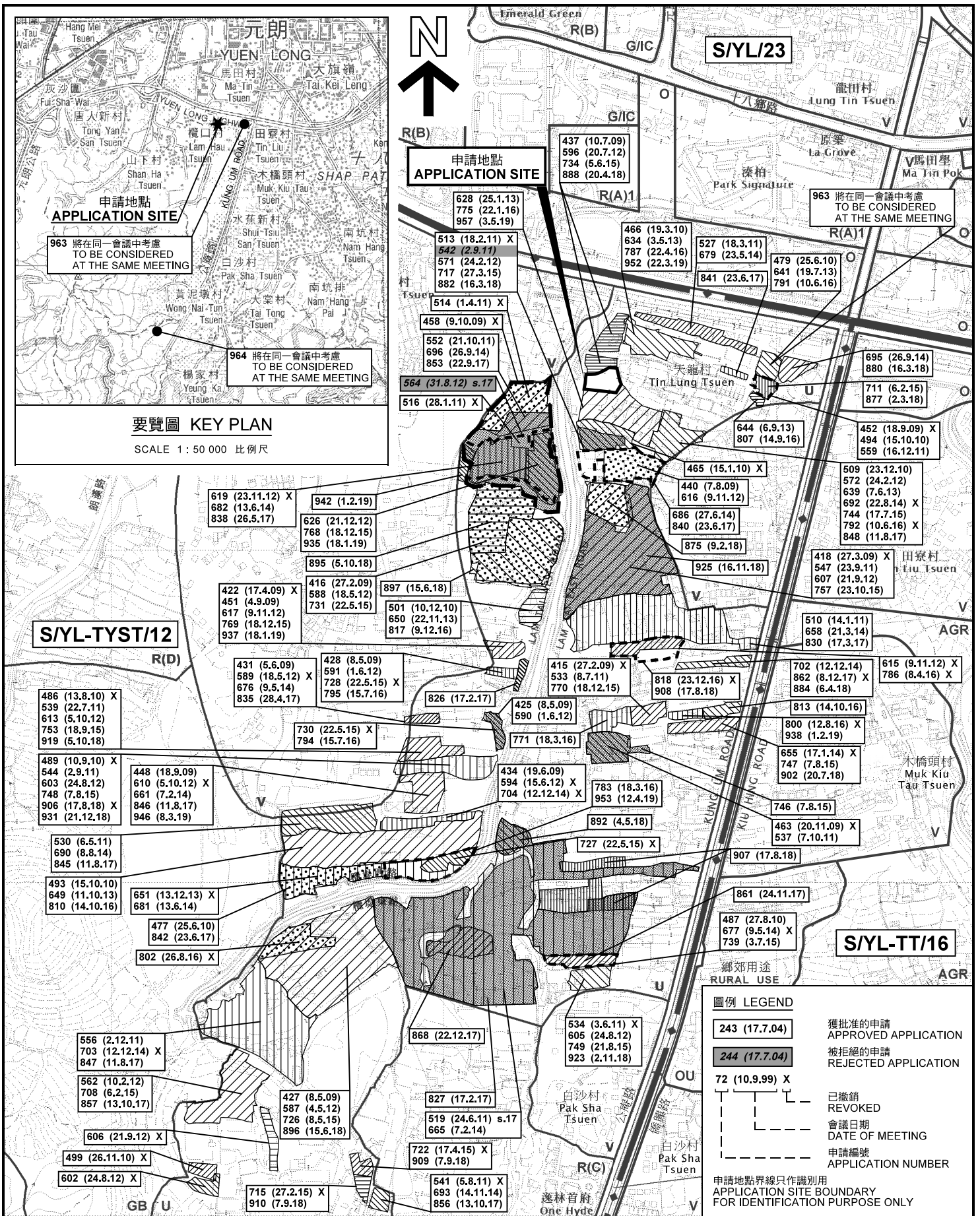
A-3



Project 項目名稱: Proposed Temporary Open Storage & Warehouse for Storage of Exhibition Material for a Period of 3 Years at Lots 2387 RP(Part) & 2388 (Part) in D.D. 120, Yuen Long, N.T.	Drawing Title 圖目: As-built Drainage Plan	Remarks 備註: ■ Terminal catchpit with sand trap +6.8 Level (in mPD) ⇐ Flow of surface runoff □ catchpit — Proposed site hoarding
	Drawing No. 圖號: Figure 5	

(摘錄自申請人於 1.4.2019 呈交的申請書)
 (Extract from Applicant's Submission of 1.4.2019)

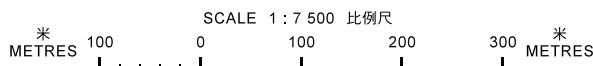
參考編號 REFERENCE No. AYL-TYST/962	繪圖 DRAWING A-4
--	--------------------------



位置圖及同類申請 LOCATION PLAN WITH SIMILAR APPLICATIONS

本摘要圖於2019年5月17日擬備，
所根據的資料為於2018年9月4日
核准的分區計劃大綱圖編號 S/YL-TYST/12
EXTRACT PLAN PREPARED ON 17.5.2019
BASED ON OUTLINE ZONING PLAN No.
S/YL-TYST/12 APPROVED ON 4.9.2018

臨時露天存放及貨倉存放展覽用品 (為期3年)
元朗唐人新村丈量約份第120約
地段第2387號餘段(部分)及第2388號(部分)
TEMPORARY OPEN STORAGE AND WAREHOUSE FOR
STORAGE OF EXHIBITION MATERIALS FOR A PERIOD OF 3 YEARS
LOTS 2387 RP (PART) AND 2388 (PART) IN D.D.120,
TONG YAN SAN TSUEN, YUEN LONG



規劃署
PLANNING
DEPARTMENT

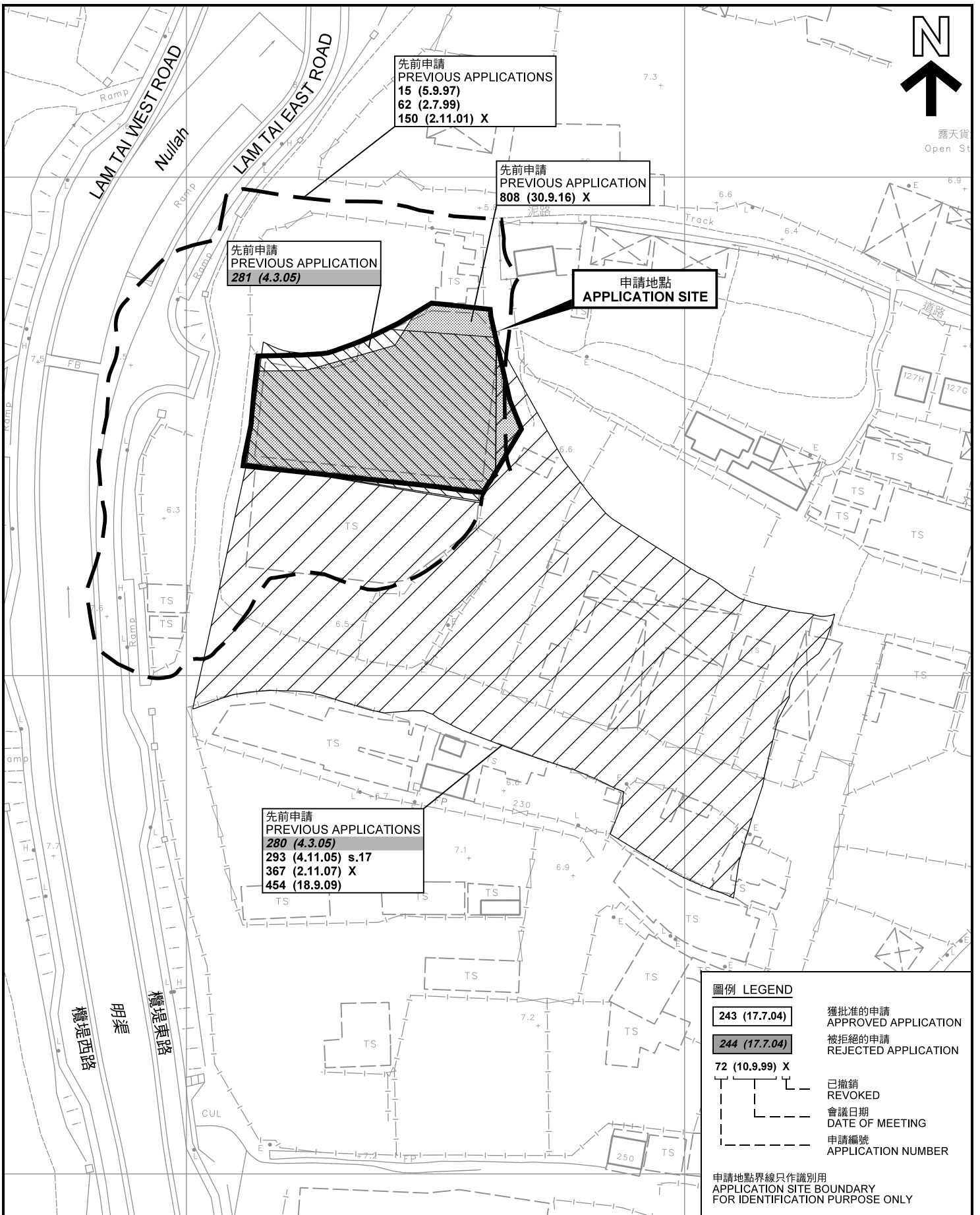


參考編號
REFERENCE No.
A/YL-TYST/962

圖 PLAN
A-1a



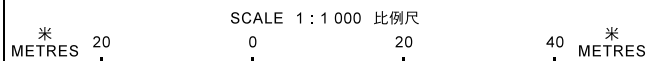
露天貨
Open St



本摘要圖於2019年5月17日擬備，所根據的資料為測量圖編號 6-NW-14C 及 14D
EXTRACT PLAN PREPARED ON 17.5.2019
BASED ON SURVEY SHEETS No. 6-NW-14C & 14D

先前申請圖 PREVIOUS APPLICATIONS PLAN

臨時露天存放及貨倉存放展覽用品 (為期3年)
元朗唐人新村丈量約份第120約
地段第2387號餘段(部分)及第2388號(部分)
TEMPORARY OPEN STORAGE AND WAREHOUSE FOR
STORAGE OF EXHIBITION MATERIALS FOR A PERIOD OF 3 YEARS
LOTS 2387 RP (PART) AND 2388 (PART) IN D.D.120,
TONG YAN SAN TSUEN, YUEN LONG

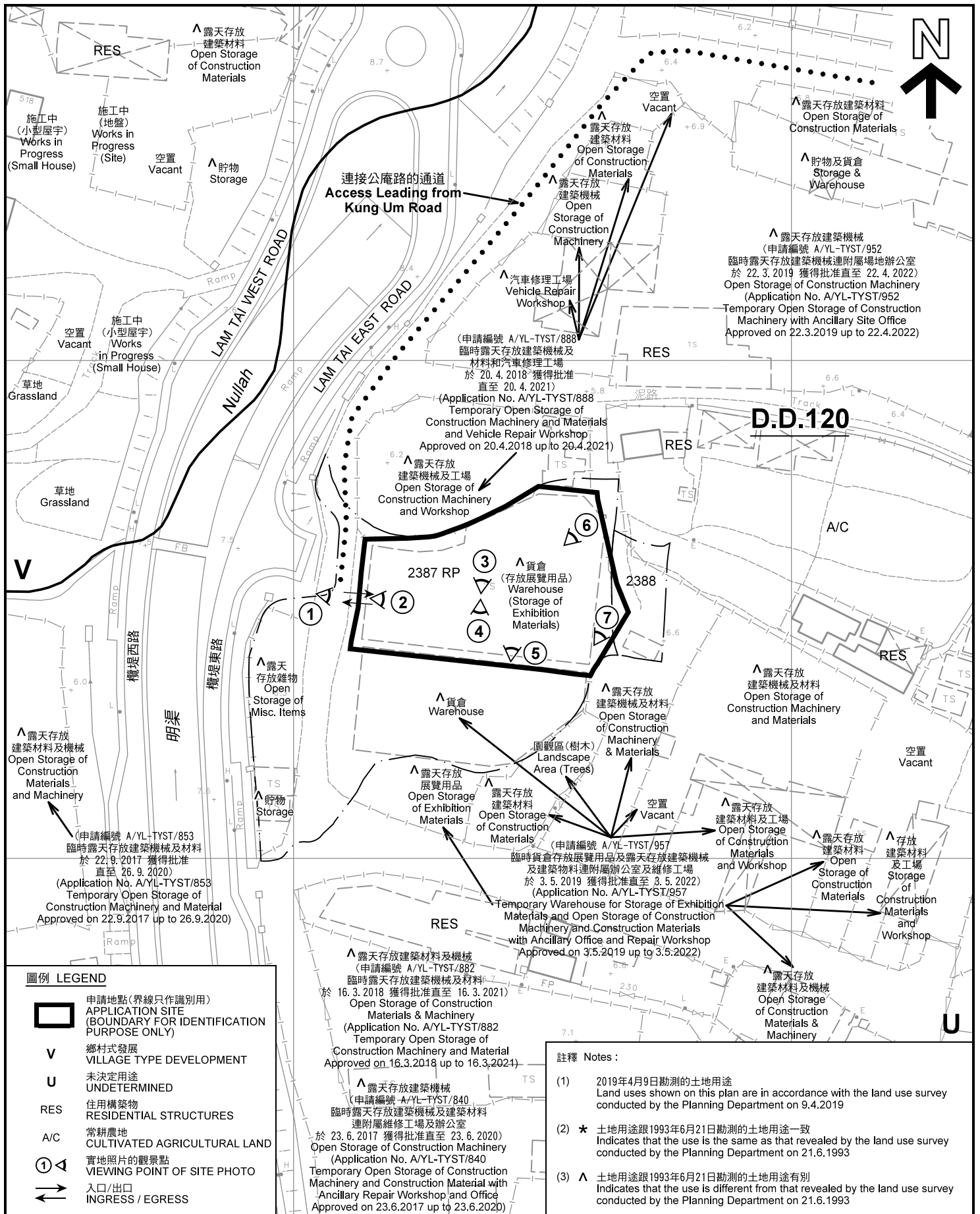


規劃署
PLANNING
DEPARTMENT



參考編號
REFERENCE No.
AYL-TYST/962

圖 PLAN
A-1b



圖例 LEGEND

- 申請地點(界線只作識別用)
APPLICATION SITE
(BOUNDARY FOR IDENTIFICATION
PURPOSE ONLY)
- V** 鄉村式發展
VILLAGE TYPE DEVELOPMENT
- U** 未決定用途
UNDETERMINED
- RES** 住用構築物
RESIDENTIAL STRUCTURES
- A/C** 常耕農地
CULTIVATED AGRICULTURAL LAND
- 實地照片的觀景點
VIEWING POINT OF SITE PHOTO
- 入口/出口
INGRESS / EGRESS

註釋 Notes:

- (1) 2019年4月9日勘測的土地用途
Land uses shown on this plan are in accordance with the land use survey conducted by the Planning Department on 9.4.2019
- (2) * 土地用途跟1993年6月21日勘測的土地用途一致
Indicates that the use is the same as that revealed by the land use survey conducted by the Planning Department on 21.6.1993
- (3) ^ 土地用途跟1993年6月21日勘測的土地用途有別
Indicates that the use is different from that revealed by the land use survey conducted by the Planning Department on 21.6.1993

平面圖 SITE PLAN

臨時露天存放及貨倉存放展覽用品 (為期3年)
元朗唐人新村丈量約份第120約
地段第2387號餘段(部分)及第2388號(部分)
TEMPORARY OPEN STORAGE AND WAREHOUSE FOR
STORAGE OF EXHIBITION MATERIALS FOR A PERIOD OF 3 YEARS
LOTS 2387 RP (PART) AND 2388 (PART) IN D.D.120,
TONG YAN SAN TSUEN, YUEN LONG

SCALE 1 : 1 000 比例尺



本摘要圖於2019年5月17日擬備, 所根據的資料為測量圖編號 6-NW-14C 及 14D
EXTRACT PLAN PREPARED ON 17.5.2019
BASED ON SURVEY SHEETS No.
6-NW-14C & 14D

**規劃署
PLANNING
DEPARTMENT**



參考編號
REFERENCE No.
A/YL-TYST/962

圖 PLAN
A-2



圖例 LEGEND



申請地點(界線只作識別用)
APPLICATION SITE
(BOUNDARY FOR IDENTIFICATION
PURPOSE ONLY)

本摘要圖於2019年5月17日擬備，所根據的資料為地政總署於2018年3月13日拍得的航攝照片編號 E034878C
EXTRACT PLAN PREPARED ON 17.5.2019
BASED ON AERIAL PHOTO No.
E034878C TAKEN ON 13.3.2018
BY LANDS DEPARTMENT

航攝照片 AERIAL PHOTO

臨時露天存放及貨倉存放展覽用品 (為期3年)
元朗唐人新村丈量約份第120約
地段第2387號餘段(部分)及第2388號(部分)
TEMPORARY OPEN STORAGE AND WAREHOUSE FOR
STORAGE OF EXHIBITION MATERIALS FOR A PERIOD OF 3 YEARS
LOTS 2387 RP (PART) AND 2388 (PART) IN D.D.120,
TONG YAN SAN TSUEN, YUEN LONG

規劃署
PLANNING
DEPARTMENT



參考編號
REFERENCE No.
AYL-TYST/962

圖 PLAN
A-3

申請地點
APPLICATION SITE

1



連接公庵路的通道
Access Leading from
Kung Um Road

2



申請地點
APPLICATION SITE

3



申請地點
APPLICATION SITE

本圖於2019年5月17日擬備，所根據的資料為攝於2019年4月9日的實地照片
PLAN PREPARED ON 17.5.2019
BASED ON SITE PHOTOS
TAKEN ON 9.4.2019

實地照片 SITE PHOTOS

臨時露天存放及貨倉存放展覽用品 (為期3年)
元朗唐人新村丈量約份第120約
地段第2387號餘段(部分)及第2388號(部分)
TEMPORARY OPEN STORAGE AND WAREHOUSE FOR
STORAGE OF EXHIBITION MATERIALS FOR A PERIOD OF 3 YEARS
LOTS 2387 RP (PART) AND 2388 (PART) IN D.D.120,
TONG YAN SAN TSUEN, YUEN LONG

規劃署
PLANNING
DEPARTMENT



參考編號
REFERENCE No.
A/YL-TYST/962

圖 PLAN
A-4a



本圖於2019年5月17日擬備，所根據的資料為攝於2019年4月9日的實地照片
 PLAN PREPARED ON 17.5.2019
 BASED ON SITE PHOTOS
 TAKEN ON 9.4.2019

實地照片 SITE PHOTOS

臨時露天存放及貨倉存放展覽用品 (為期3年)
 元朗唐人新村丈量約份第120約
 地段第2387號餘段(部分)及第2388號(部分)
 TEMPORARY OPEN STORAGE AND WAREHOUSE FOR
 STORAGE OF EXHIBITION MATERIALS FOR A PERIOD OF 3 YEARS
 LOTS 2387 RP (PART) AND 2388 (PART) IN D.D.120,
 TONG YAN SAN TSUEN, YUEN LONG

規劃署
 PLANNING
 DEPARTMENT



參考編號
 REFERENCE No.
 A/YL-TYST/962

圖 PLAN
 A-4b