

## **Appendix H**

### **Test Pit Excavation Results and Section Drawings**

**Agreement No. CE 67/98  
Yuen Long, Kam Tin, Ngau Tam Mei &  
Tin Shui Wai  
Drainage Improvement, Stage 1  
Environmental Impact Assessment**

Cultural Heritage Impact Assessment: KT 13

**Appendix H**

**Test Pit Excavation Results  
and Section Drawings**

Prepared for Binnie Black and Veatch Hong Kong Ltd.

ARCHAEOLOGICAL ASSESSMENTS

June 2000

## Appendix II

## Test Pit Results

## Test Pit 1

Test Pit 1 was located in an abandoned field to the north of the stream in Unit 1. The field lies on the lower slopes of the foothills, at approx. 18.8 m PD, several meters above the level of the stream bed. The test pit measured 1.5 m x 1.5 m. TBM was taken from a fence post ( 2<sup>nd</sup> post from the south ) to the west of the nearby house. Depths are given here in cms. below point B.

Layer	Depth (in cms)	Soil description	Colour	Interpretation
01	0-4	Brown SILT, sandy, gravelly, angular to sub-angular, with quartz and roots.	10 YR 4/3	Topsoil
02	4-16	Olive brown SILT, slightly sandy, gravelly, angular to sub-angular, with quartz, plastic fragment and one modern village ware sherd. [ Bag TP1(1) ]	2.5 Y 4/3	Subsoil
03	16 - 34	Light olive brown SILT, slightly gravelly, sub-angular to sub-rounded, with gravel and two glazed modern sherds. [ Bag TP1(2) ]	2.5 Y 5/3	Alluvium
04	34- 26	Strong brown CLAY, sandy, gravelly, angular to sub-angular.	7.5 YR 5/8	Alluvium
05	46- 214	Yellowish brown CLAY, gravelly, angular to sub-angular, mottling with black streaks and quartz, increasing coarse in depth.  The excavation of the test pit was halted at 100 cm due to safety measures. An auger hole test was carried out to further verify the stratigraphy.	10 YR 5/8	Alluvium
	214	Abandoned due to end of auger	--	--

ARCHAEOLOGICAL ASSESSMENTS

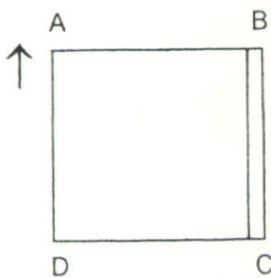
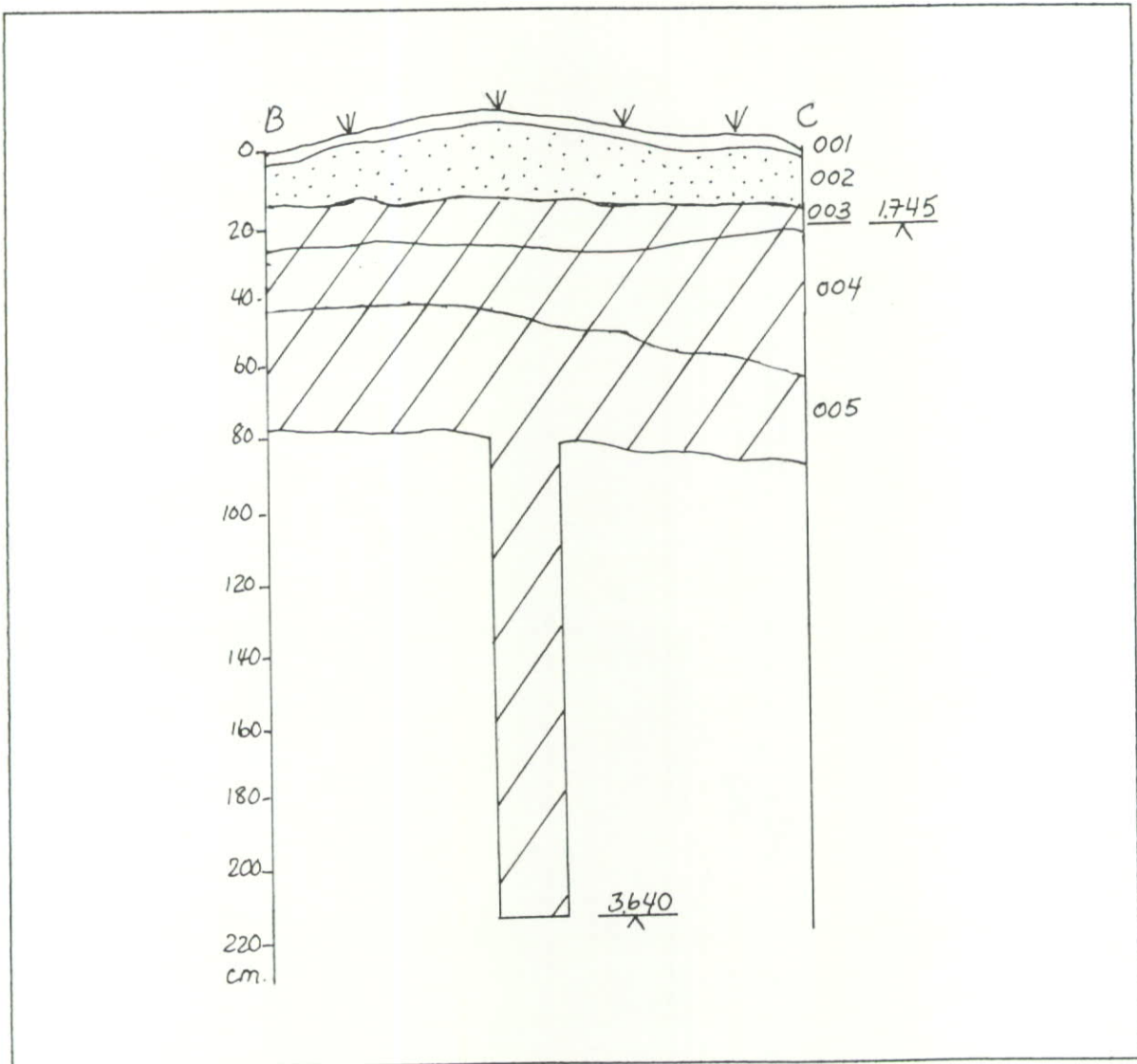
Test Pit Section Drawing

Project: Yuen Long, Kam Tin, Ngau Tam Mei & Tin Shui Wai Drainage Improvement -- KT 13 Environmental Impact Assessment

Test Pit Number: 1  
Scale: 1:20  
TBM 2.520

Section: East Section

Date: 29.05.00



Key:

∇ ∇ Topsoil  
Rock

/// Fill

Decomposing Debris Flow

/// Alluvium

⋯ Subsoil

Colluvium

## Test Pit 2

Test Pit 2 was excavated in an abandoned field to the south of the stream in Unit 1. The area is lower ( 14 m PD ) and wet. The test pit measured 1.5 m x 1.5m. The TBM was taken from the base of a large boulder beside the path to the south of the nearby house. Depths are given here in cms. below point C.

Layer	Depth (in cms)	Soil description	Colour	Interpretation
01	0-5	Brown SILT, slightly clayey and very slightly sandy, sub-angular to sub-rounded, very rooty.	10 YR 4/3	Top soil
02	5-14	Brown SILT, very slightly clayey and very slightly sandy, sub-angular to sub-rounded, with roots. [ Bag TP2(1)]	10 YR 5/3	Subsoil
03	14-28	Light olive brown SILT, very slightly clayey, slightly gravelly and slightly sandy, sub-angular to sub-rounded, with sherds. [ Bag TP2 (2)]	2.5 Y 5/3	Alluvium
04	28 -34	Olive brown SILT, sandy, slightly gravelly and slightly clayey, sub-angular to sub-rounded. [ Bag TP2 (3)]	5 Y 5/2	Alluvium
05	34-65	Light olive brown SILT, slightly clayey, sandy and slightly gravelly, sub-angular to sub-rounded, with quartz. [ Bag TP2 (4)]	2.5 Y 5/6	Alluvium
06	65-75	Light yellowish brown GRAVEL, very slightly clayey, sub-angular to sub-rounded, water table at 74 cm.	2.5 Y 6/4	Alluvium
07	75-138	Light olive brown CLAY, slightly silty and slightly sandy. The excavation of the test pit was halted at 106cm due to safety measures. An auger hole test was carried out to further verify the stratigraphy.	2.5 Y 5/4	Alluvium
08	138-172	Grey CLAY, slightly sandy and slightly gravelly, sub-angular to sub-rounded.	2.5 Y 5/1	Alluvium
09	172-202	Brownish yellow GRAVEL, very slightly sandy, angular to sub-angular.	10 YR 6/8	Alluvium
	202	Abandoned due to soil no longer staying in bucket.	--	-

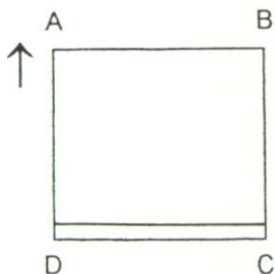
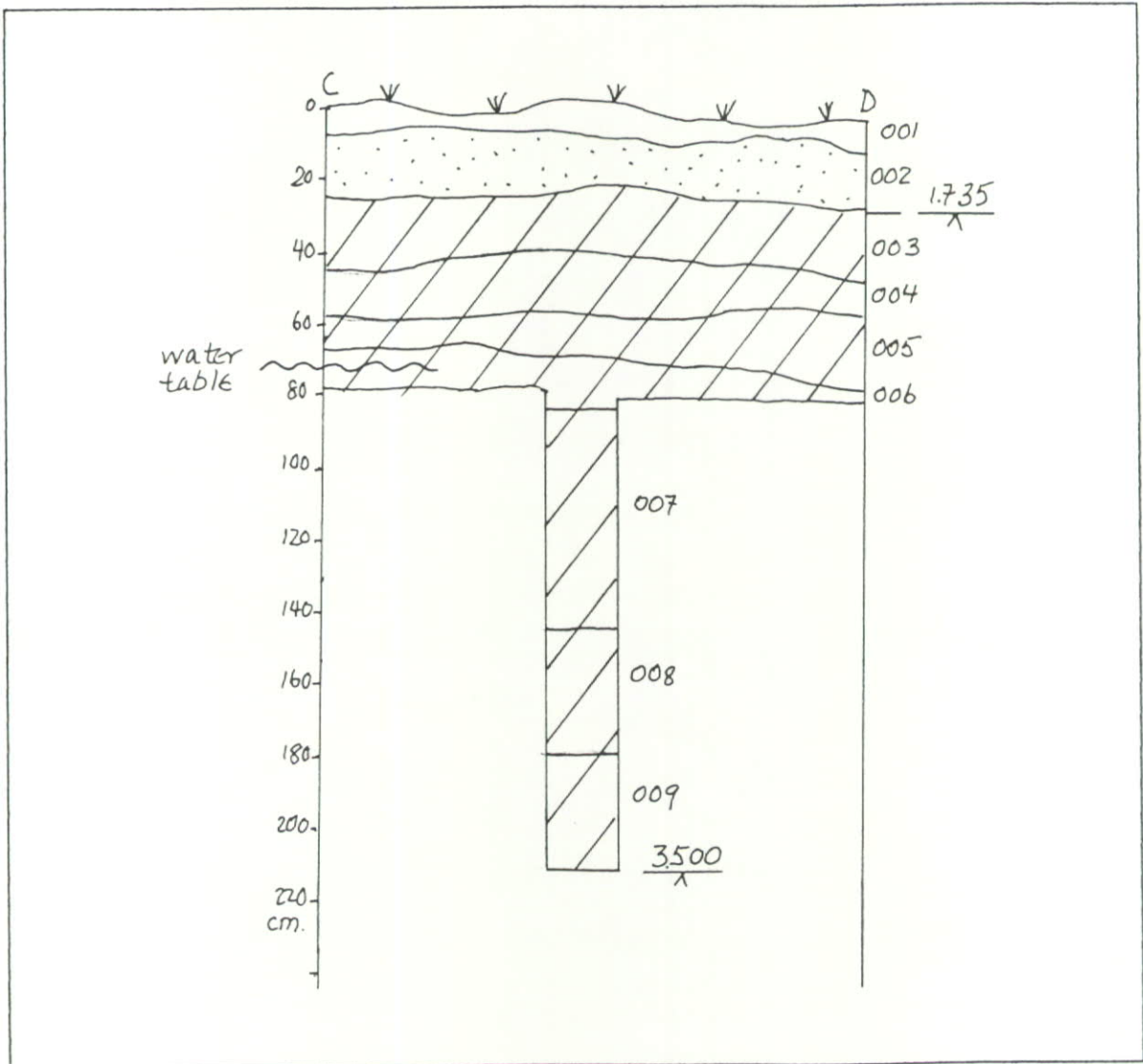
ARCHAEOLOGICAL ASSESSMENTS

Test Pit Section Drawing

Project: Yuen Long, Kam Tin, Ngau Tam Mei & Tin Shui Wai Drainage Improvement -- KT 13 Environmental Impact Assessment

Test Pit Number: 2  
Scale: 1:20  
TBM 0.430

Section: South Section  
Date: 30.05.00



Key:

- |     |                         |     |           |
|-----|-------------------------|-----|-----------|
| ▽▽  | Topsoil                 | /// | Alluvium  |
|     | Rock                    | ●●● | Subsoil   |
| /// | Fill                    | ●●● | Colluvium |
|     | Decomposing Debris Flow |     |           |

### Test Pit 3

Test Pit 3 was situated in Unit 2 in abandoned fields east of the stream at approx. 13.7 m PD. The test pit measured 1.5m x 1.5m. TBM was taken from the base of the electricity pole beside the path to the south of the test pit. Depths are given here in cms. below point C.

Layer	Depth (in cms)	Soil description	Colour	Interpretation
01	0-4	Light olive brown SILT, very slightly sandy, angular to sub-angular. Roots and modern sherds [ Bag TP3(1) ]	2.5Y 5/3	Top soil
02	4 - 32	Light olive brown SILT, very slightly sandy, angular to sub-angular. Modern sherds [ Bag TP3(2) ]	2.5Y 5/4	Subsoil
03	32 -131	Yellowish brown CLAY. silty, very slightly sandy, very slightly gravelly, sub-angular to sub-rounded. The excavation of the test pit was halted at 105 cm due to safety measures. An auger hole test was carried out to further verify the stratigraphy.	10 YR 5/6	Alluvium
04	131-218	Brownish yellow CLAY, slightly silty, very slightly sandy, angular to sub-angular. Increasing amount of parent material with depth.	10YR 6/8	Alluvium
	218	Abandoned due to end of auger	--	--

**ARCHAEOLOGICAL ASSESSMENTS**

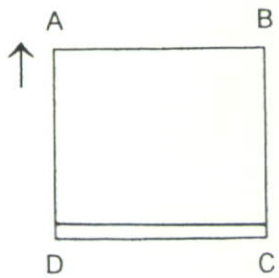
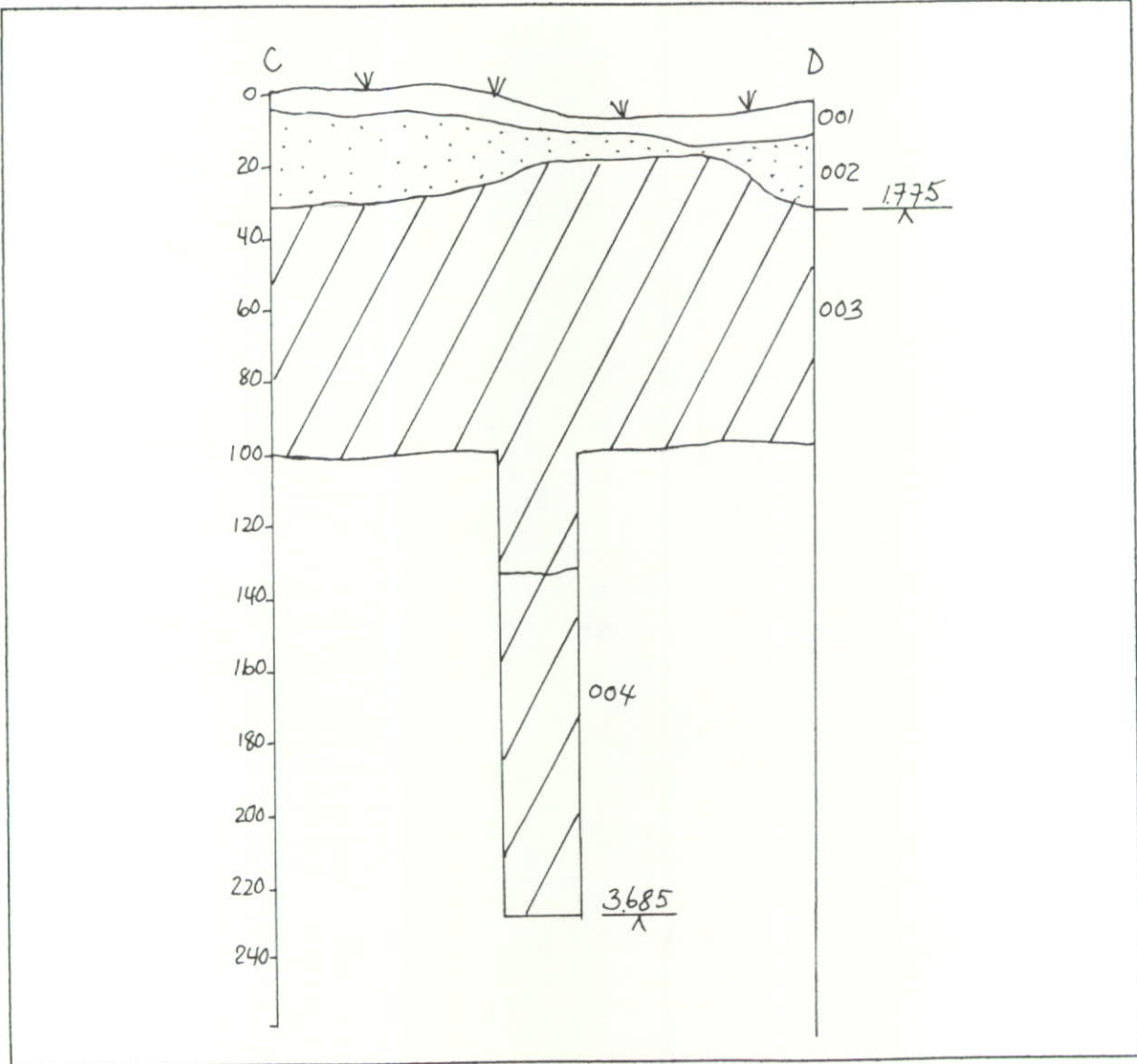
**Test Pit Section Drawing**

**Project: Yuen Long, Kam Tin, Ngau Tam Mei & Tin Shui Wai Drainage Improvement -- KT 13 Environmental Impact Assessment**

Test Pit Number: 3 Section: **South Section**

Scale: 1:20 Date: 03.06.00

TBM 1.265



**Key:**

∨ ∨	Topsoil	////	Alluvium
///	Rock	· · ·	Subsoil
	Fill		Colluvium
	Decomposing Debris Flow		



### Test Pit 4

Test Pit 4 was located to the west of the stream in Unit 2 in an abandoned portion of the nursery. It lay at approx. 11m PD and measured 1.5m x 1.5m. TBM was taken from the base of a large tree in the nursery to the south of the test pit. All depths are measured from point D.

Layer	Depth (in cms)	Soil description	Colour	Interpretation
01	0-7	Light olive brown SILT with roots and organic material.	2.5Y 5/4	Topsoil
02	7-16	Olive Yellow SILT with modern sherds and tile [ Bag TP4(1) ]	2.5Y 6/6	Subsoil
03	16 -26	Light olive brown SILT, slightly sandy, sub-angular to sub-rounded; modern sherds [ Bag TP4(2) ]	2.5Y 5/6	Alluvium
04	26 – 64	Olive yellow SILT, slightly sandy, angular to sub-angular, modern sherds [ Bag TP4(3) ]	5Y 6/6	Alluvium
05	64 -88	Greyish brown SILT, very clayey, slightly sandy, angular to sub-angular, modern sherds [ Bag TP4 (4) ]	10YR 5/2	Alluvium
06	88 - 202	Light olive brown CLAY, slightly sandy, slightly silty, sub-angular to sub-rounded.  The excavation of the test pit was halted at 195 cm. due to safety measures. An auger hole test was carried out to further verify the stratigraphy. Water table at 144 cm.	10YR 5/6	Alluvium
	202	Augering ceased due to failure of waterlogged clay to hold in the auger bucket.	--	--

**ARCHAEOLOGICAL ASSESSMENTS**

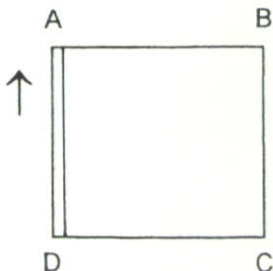
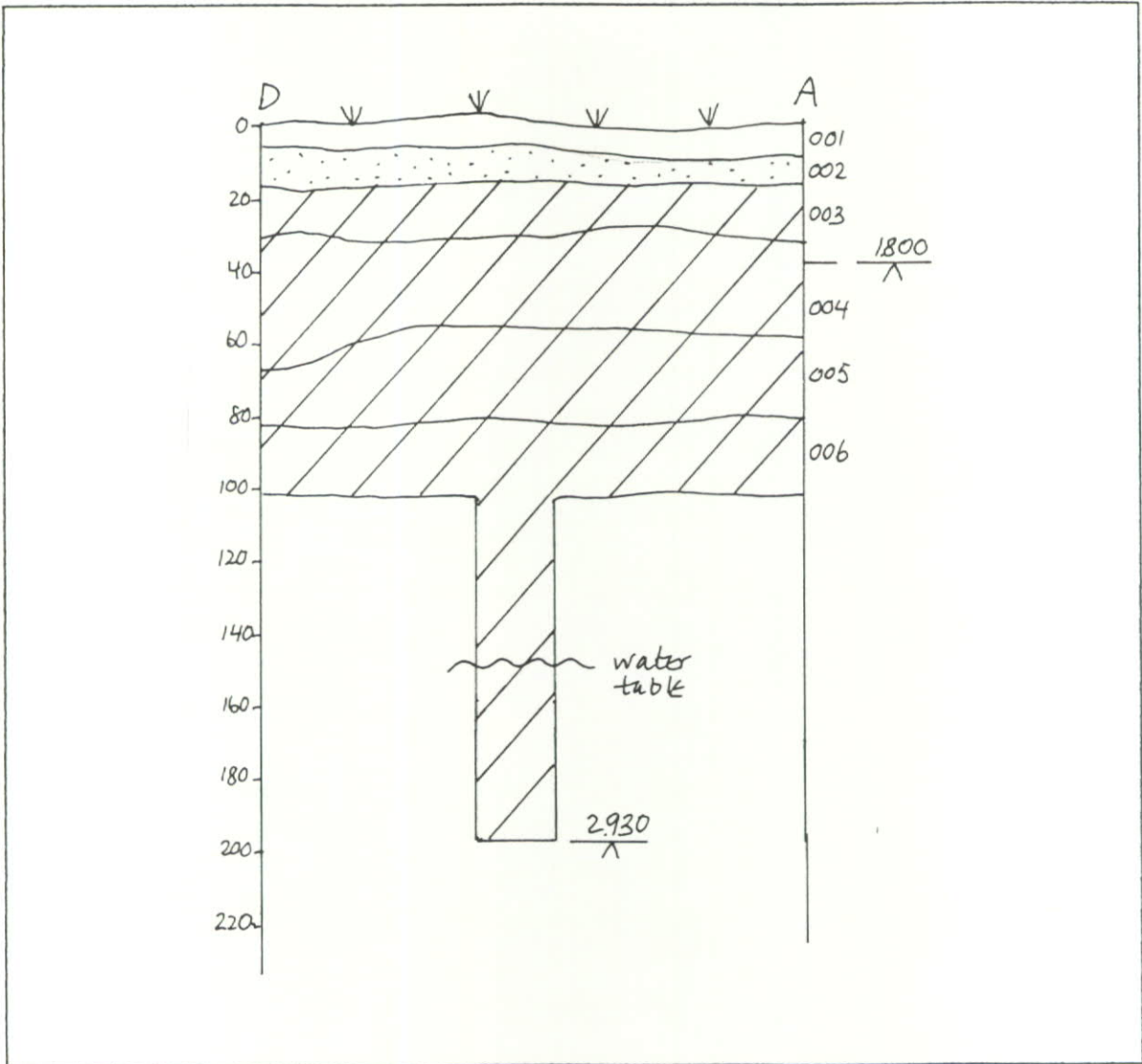
**Test Pit Section Drawing**

Project: Yuen Long, Kam Tin, Ngau Tam Mei & Tin Shui Wai Drainage Improvement – KT 13 Environmental Impact Assessment

Test Pit Number: 4 Section: West Section

Scale: 1:20 Date: 05.06.00

TBM 0.890



**Key:**

	Topsoil		Alluvium
	Rock		Subsoil
	Fill		Colluvium
	Decomposing Debris Flow		

**Ma On Kong  
Test Pit 5**

Layer	Level (in cms.)	Soil description	Colour	Interpretation
01	A: 0 B: - 22 C: - 21.5 D: + 8	Yellowish brown SILT, very clayey and sandy, with some medium sized rocks	10 YR 5/6	Topsoil
02	A: - 3.5 B: - 28 C: - 28 D: - 1	Yellowish brown GRAVEL, very clayey and silty	10 YR 5/6	Hill Wash
03	A: - 17 B: - 39.5 C: - 43.5 D: - 23	Brown CLAY, gravely and silty, sub-angular to sub-rounded	10 YR 4/3	Topsoil
04	A: - 19.5 B: - 38 C: - 28 D: - 28	Brown CLAY, gravely and silty, sub-angular to sub-rounded	10 YR 5/3	Agricultural Soil
05	A: - 61 B: - 70 C: - 65 D: - 62	Yellowish brown GRAVEL, clayey and very silty	10 YR 5/4	Cultural Soil
06	A: - 73 B: - 97 C: - 93.5 D: - 73.5	Dark yellowish brown CLAY, gravely and motley, angular to sub-angular to sub-rounded, with rocks	10 YR 4/2	Decomposing Rock
BT	A: - 122 B: - 121 C: - 121.5 D: - 121	The excavation of the test pit was halted at these levels due to water table.	--	--

Test Pit 5. Ma On Kong  
North section.



**Ma On Kong  
Test Pit 6**

Layer	Level (in cms.)	Soil description	Colour	Interpretation
01	A: 0 B: - 21 C: - 7 D: + 6	Brown SILT, gravely, slightly clayey and slightly sandy, sub-angular to sub-rounded, with roots	10 YR 4/3	Topsoil
02	A: - 10 B: - 28 C: - 20 D: - 10	Dark brown SILT, clayey, sandy and slightly gravely, sub-angular to sub-rounded, with rocks and roots	10 YR 3/3	Subsoil
03	A: - 47 B: - 55 C: - 62 D: - 48	Yellowish brown GRAVEL, clayey and very slightly silty, sub-angular to sub-rounded	10 YR 5/8	Fill ?
04		Greyish brown GRAVEL, very silty and clayey	10 YR 5/2	Soil in Pot
05	A: - 90 B: - 95 C: - 97 D: - 90	Olive yellow GRAVEL, very clayey and silty, sub-angular to sub-rounded	2.5 Y 6/8	Colluvium
BT	A: - 125 B: - 123 C: - 127 D: - 125	The excavation of the test pit was halted at these levels due to safety measures. An auger hole test was carried out to further verify the stratigraphy	--	--
05	X: - 260	Abandoned due to end of auger	--	--

Test Pit 6. Ma On Kong  
North section.

