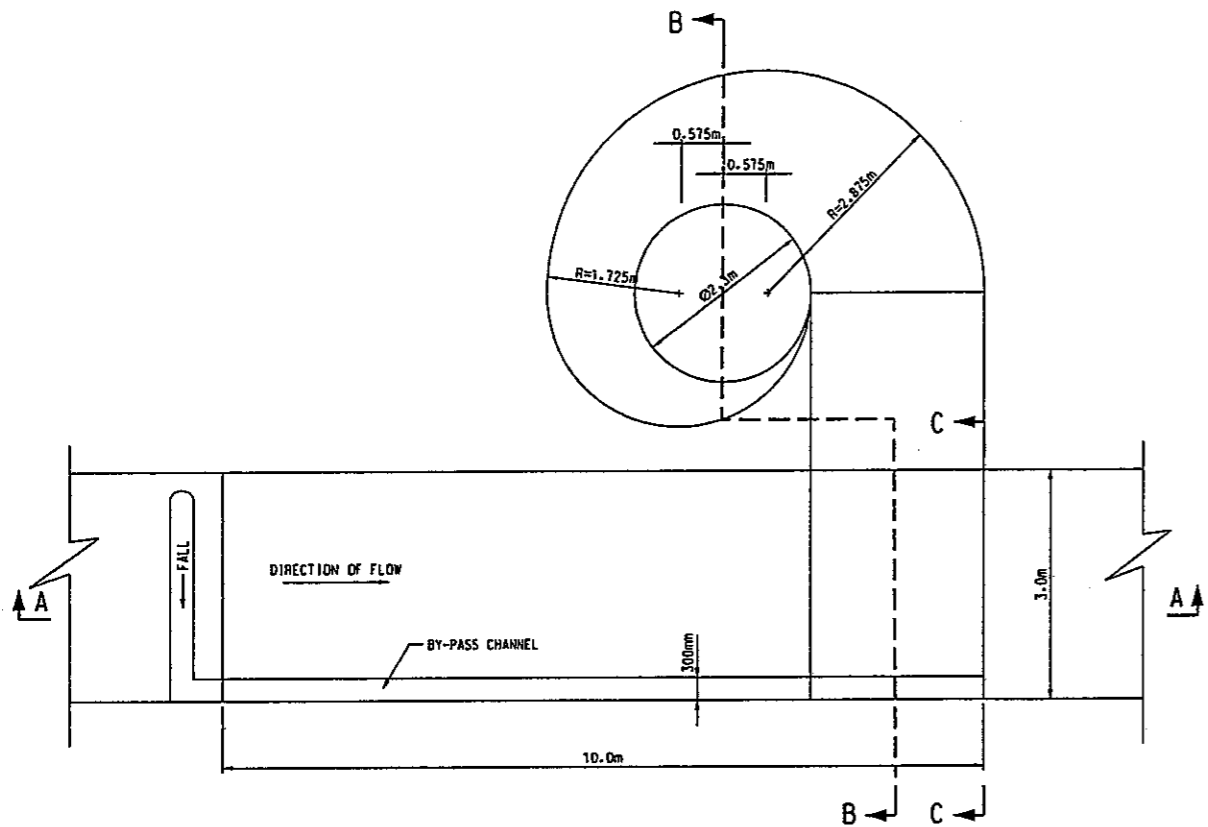
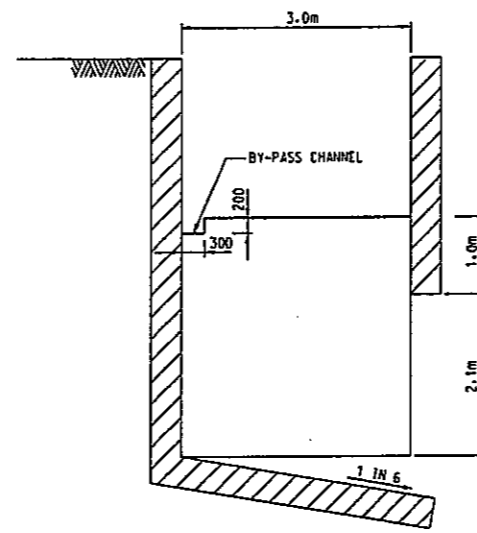


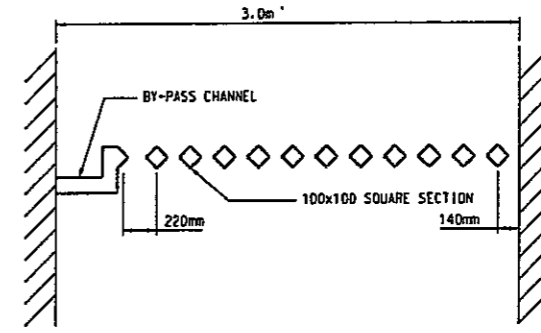
NOTES :
 1. DIMENSIONS ON THIS DRAWING ARE APPROXIMATE AND SUBJECT TO DETAILED DESIGN.



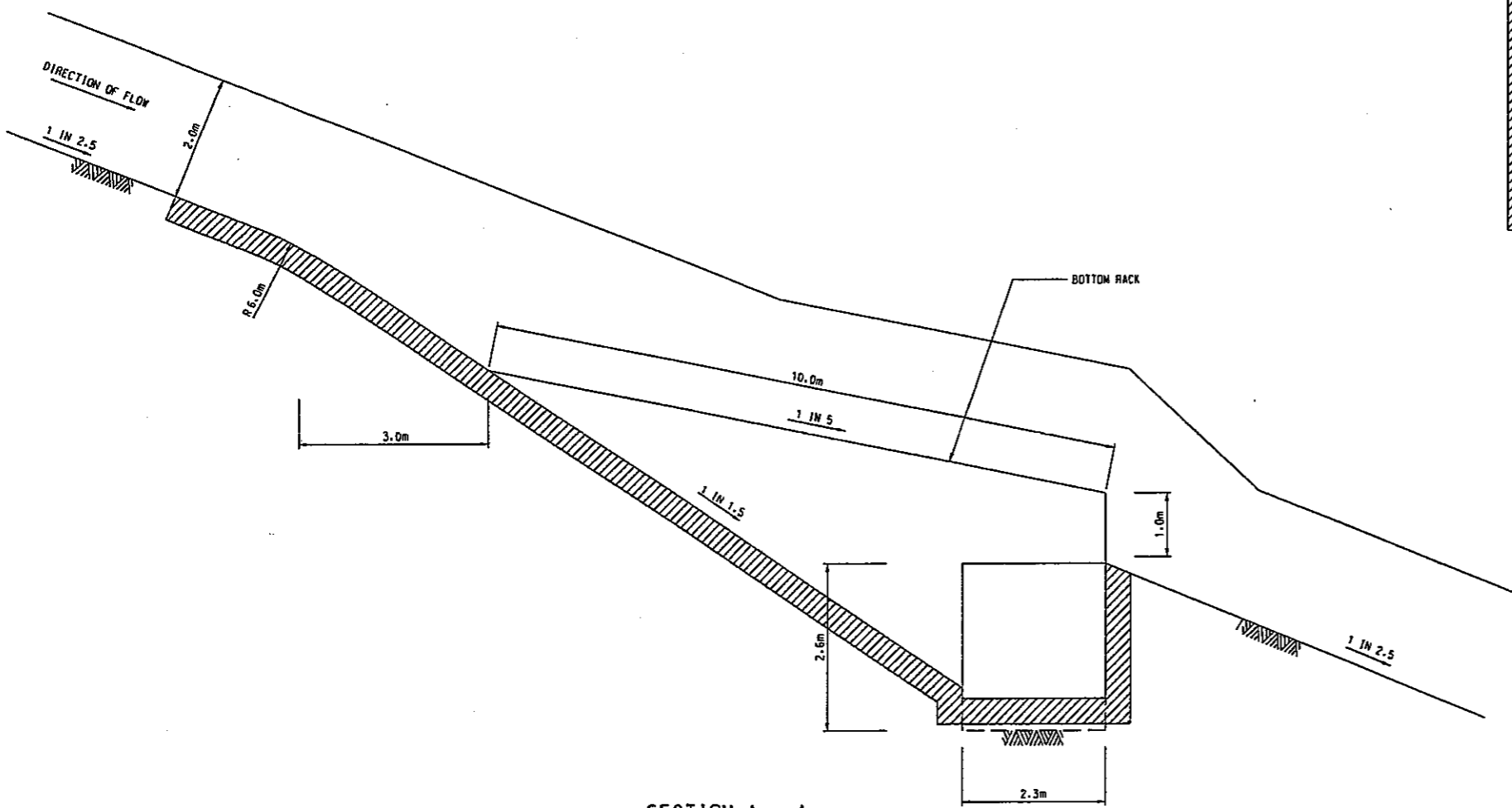
PLAN
 SCALE = 1:100 (A3)



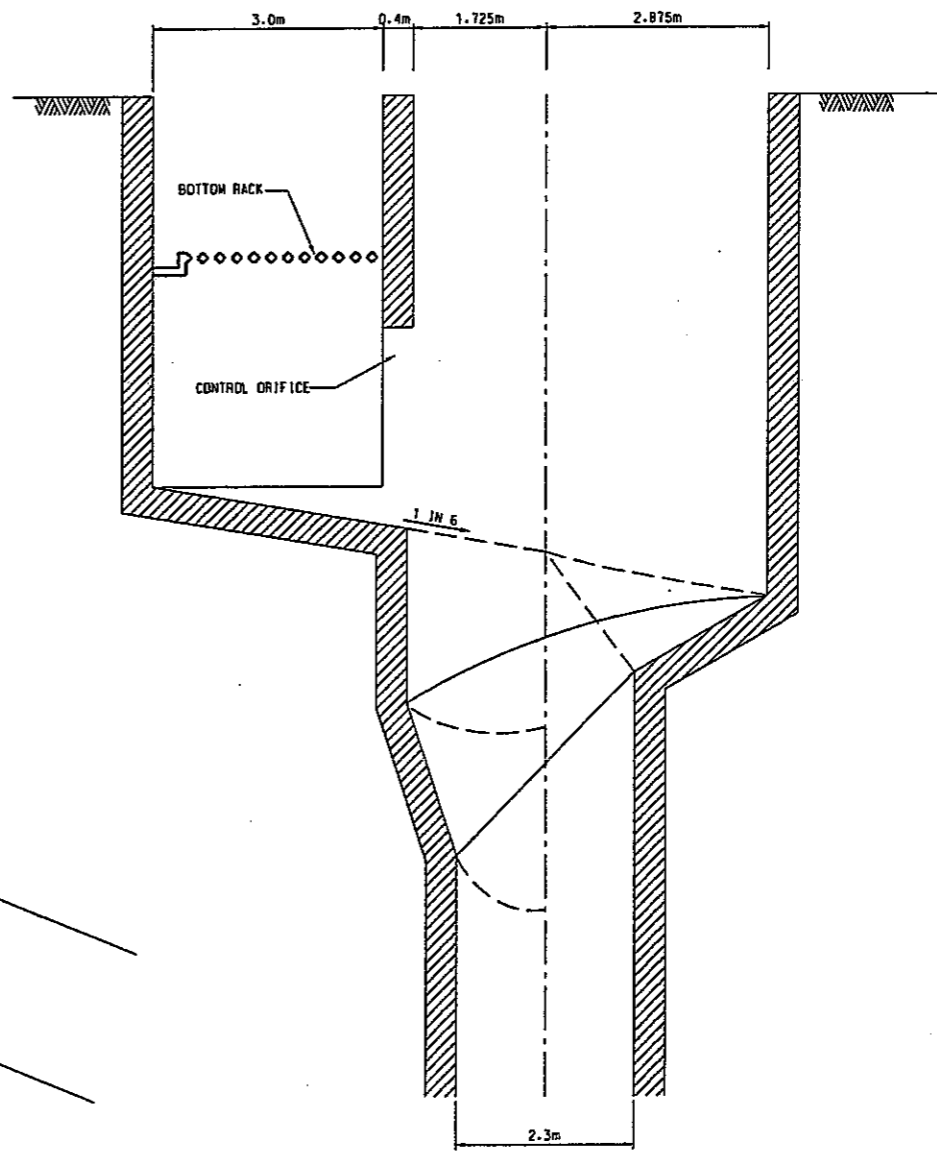
SECTION C-C
 SCALE = 1:100 (A3)



BOTTOM RACK DETAILS
 SCALE = 1:50 (A3)



SECTION A - A
 SCALE = 1:100 (A3)



SECTION B - B
 SCALE = 1:100 (A3)

A	03/05	BY-PASS CHANNEL REVISED			TY
Revision	Date	Description			Initial
	Designed	Checked	Drawn	Checked	
Initial	LWG	LMF	JT	LWG	
Date	11/04	11/04	11/04	11/04	11/04

Approved

Agreement no. CE 25/2002 (DS)

Contract title
 DRAINAGE IMPROVEMENT IN NORTHERN HONG KONG ISLAND - HONG KONG WEST DRAINAGE TUNNEL AND LOWER CATCHMENT IMPROVEMENT - INVESTIGATION

Drawing title
 TYPICAL INTAKE STRUCTURE LAYOUT AND SECTIONS

Drawing no. FIGURE 7.7
 Scale AS SHOWN

香港特別行政區政府渠務署
 THE GOVERNMENT OF THE HONG KONG SPECIAL ADMINISTRATIVE REGION
 DRAINAGE SERVICES DEPARTMENT