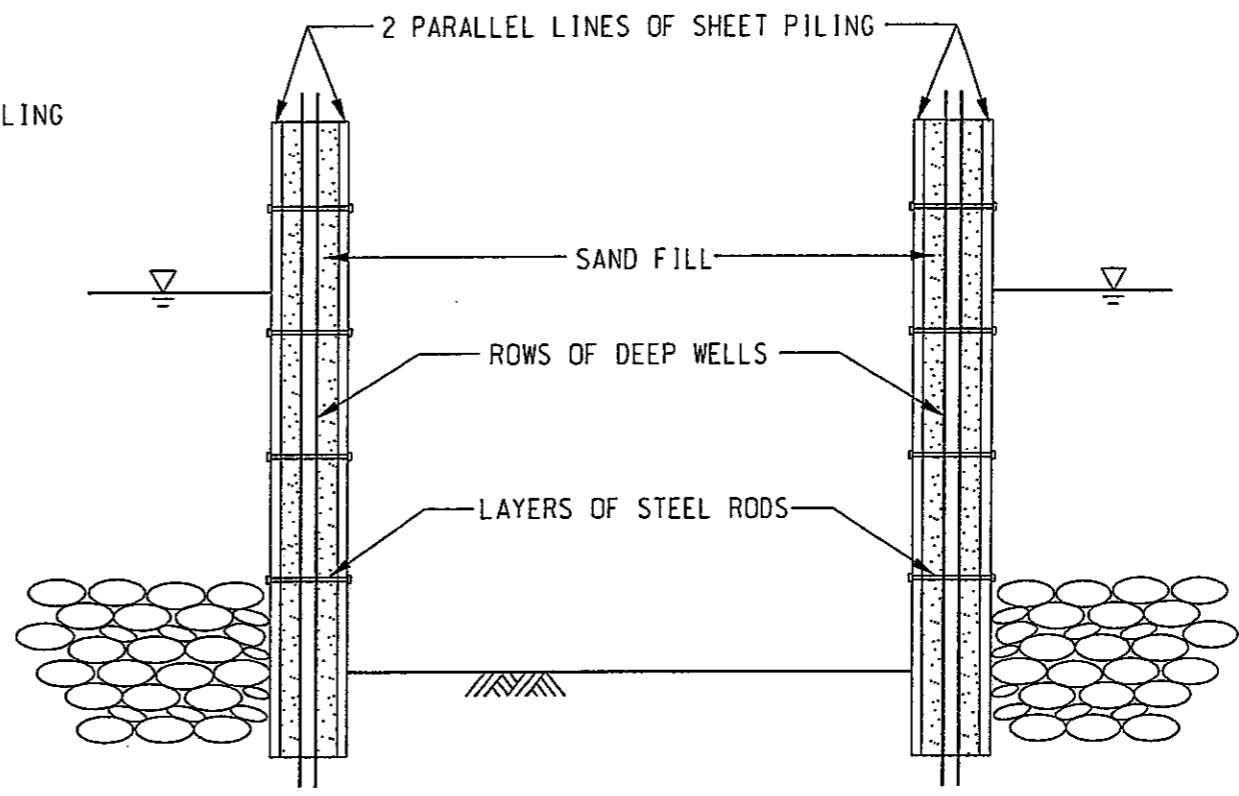
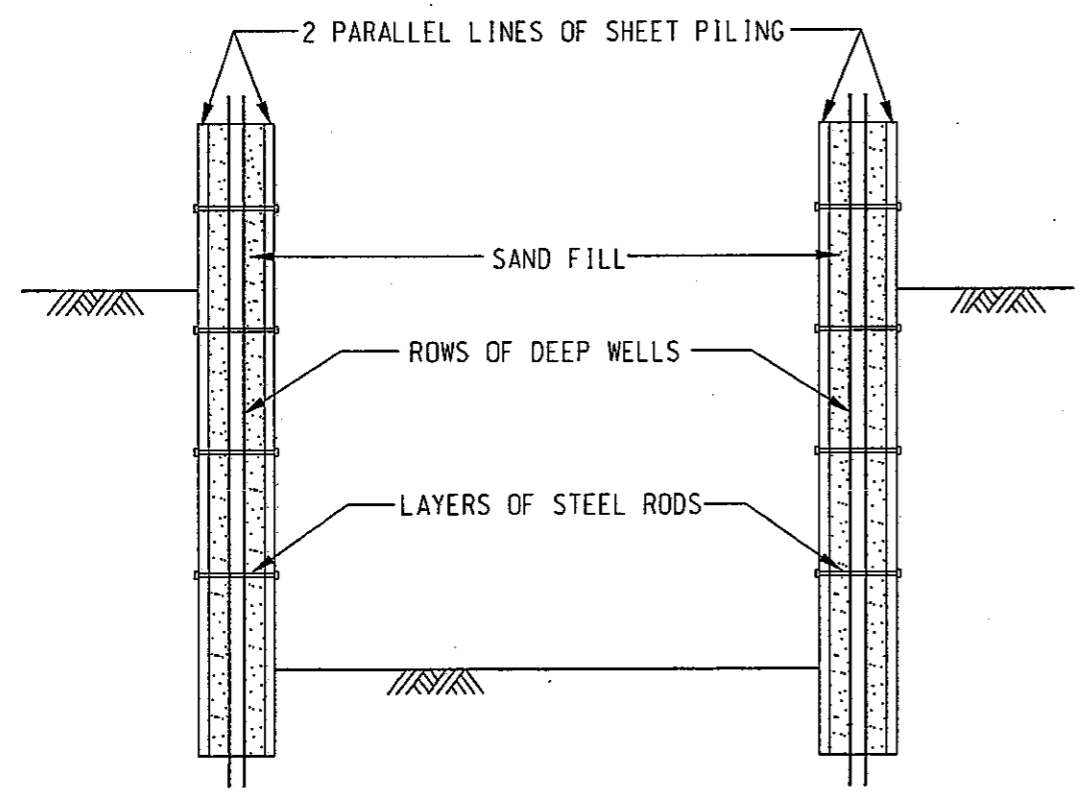


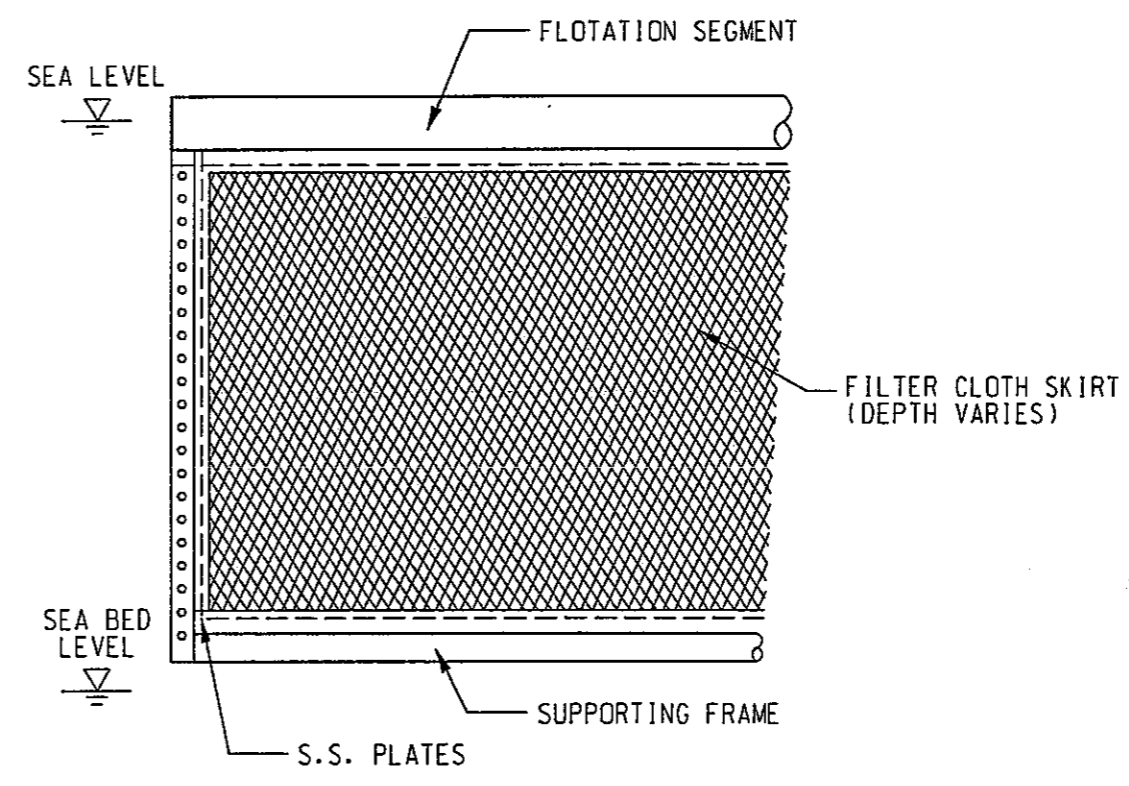
DETAIL "A"
N.T.S.



SECTION X - X
N.T.S.



SECTION Y - Y
N.T.S.



TYPICAL ELEVATION VIEW
OF SILT CURTAIN
N.T.S.

Revision	Date	Description			Initial
		Designed	Checked	Drawn	
Initial	CHH	STL	JT	CHH	
Date	12/04	12/04	12/04	12/04	

Agreement no. CE 25/2002 (DS)

Contract title
DRAINAGE IMPROVEMENT IN
NORTHERN HONG KONG ISLAND -
HONG KONG WEST
DRAINAGE TUNNEL AND LOWER CATCHMENT
IMPROVEMENT - INVESTIGATION

Drawing title
SECTIONS AND DETAILS OF
TEMPORARY COFFERDAM
AND SILT CURTAIN

Drawing no. FIGURE 7.5b
Scale N.T.S.

香港特別行政區政府渠務署
THE GOVERNMENT OF THE
HONG KONG
SPECIAL ADMINISTRATIVE REGION
DRAINAGE SERVICES DEPARTMENT

BLACK & VEATCH HONG KONG LIMITED
博施工程顧問有限公司