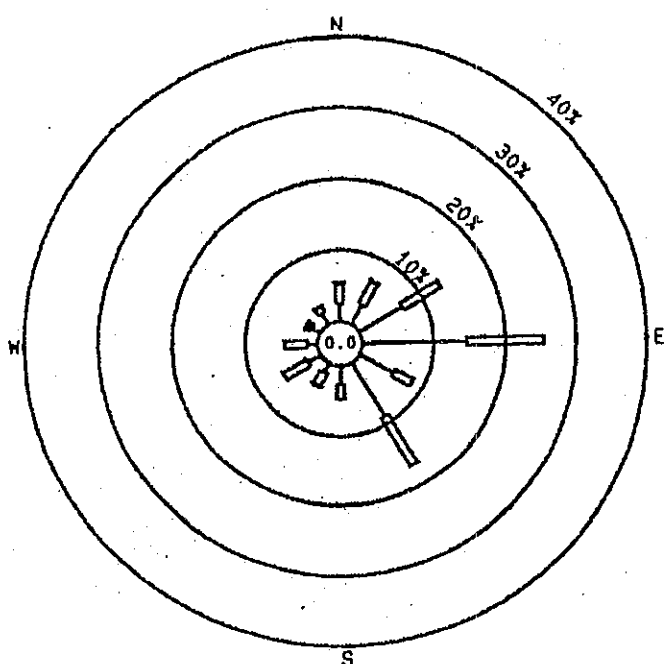
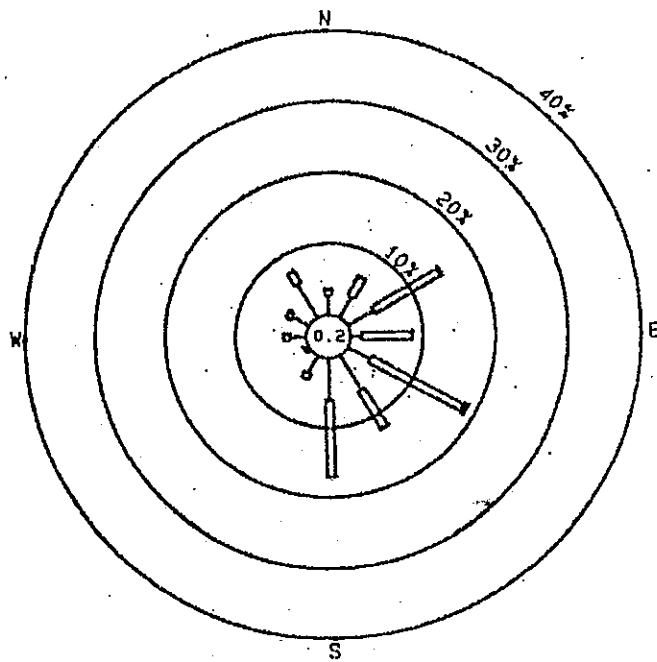


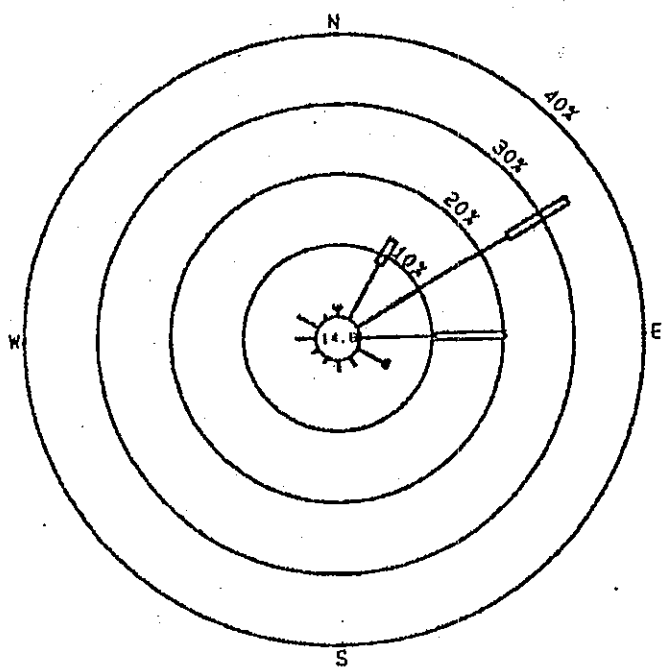
流浮山 Lau Fau Shan



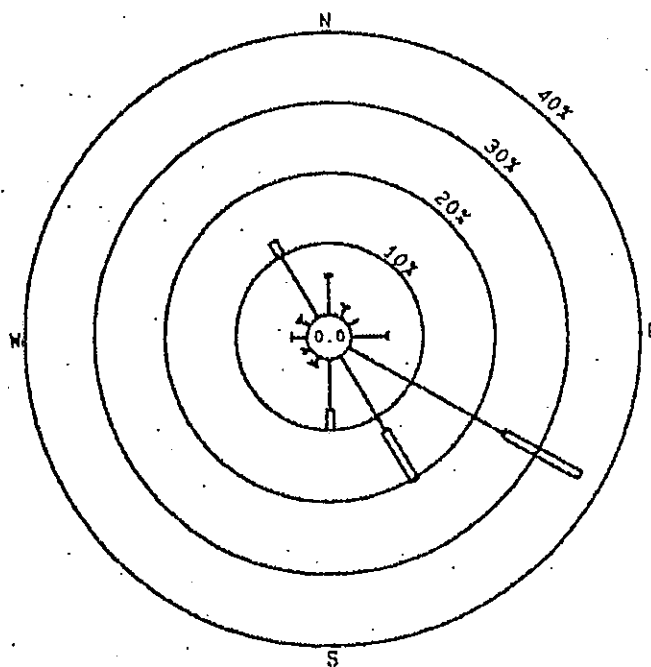
青衣青柏樓 Ching Pak House



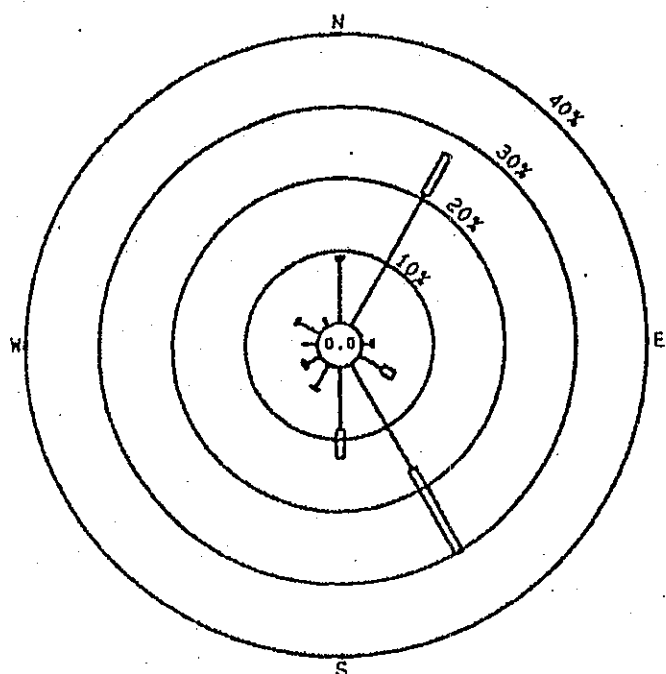
石崗 Shek Kong



青衣靚殼油庫 Shell



屯門 Tuen Mun



青洲 Green Island

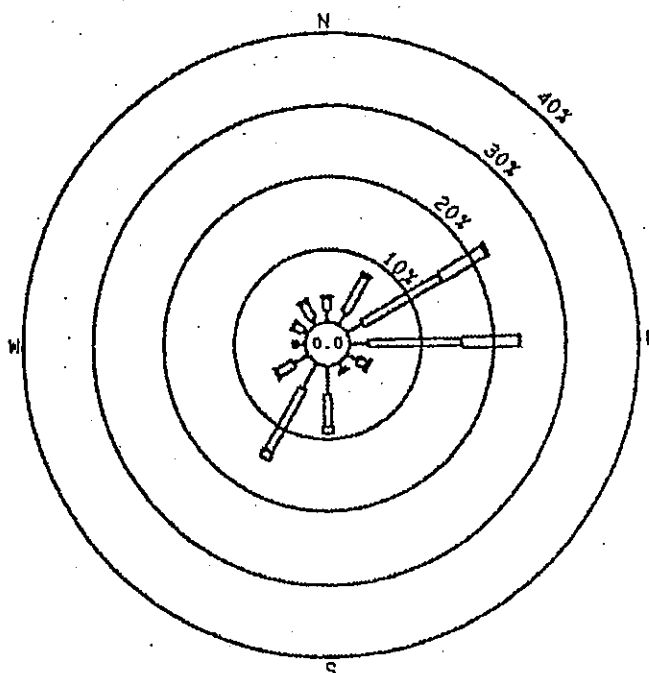


Figure 6.1:b Annual Wind Roses for Automatic Weather Stations in 2002