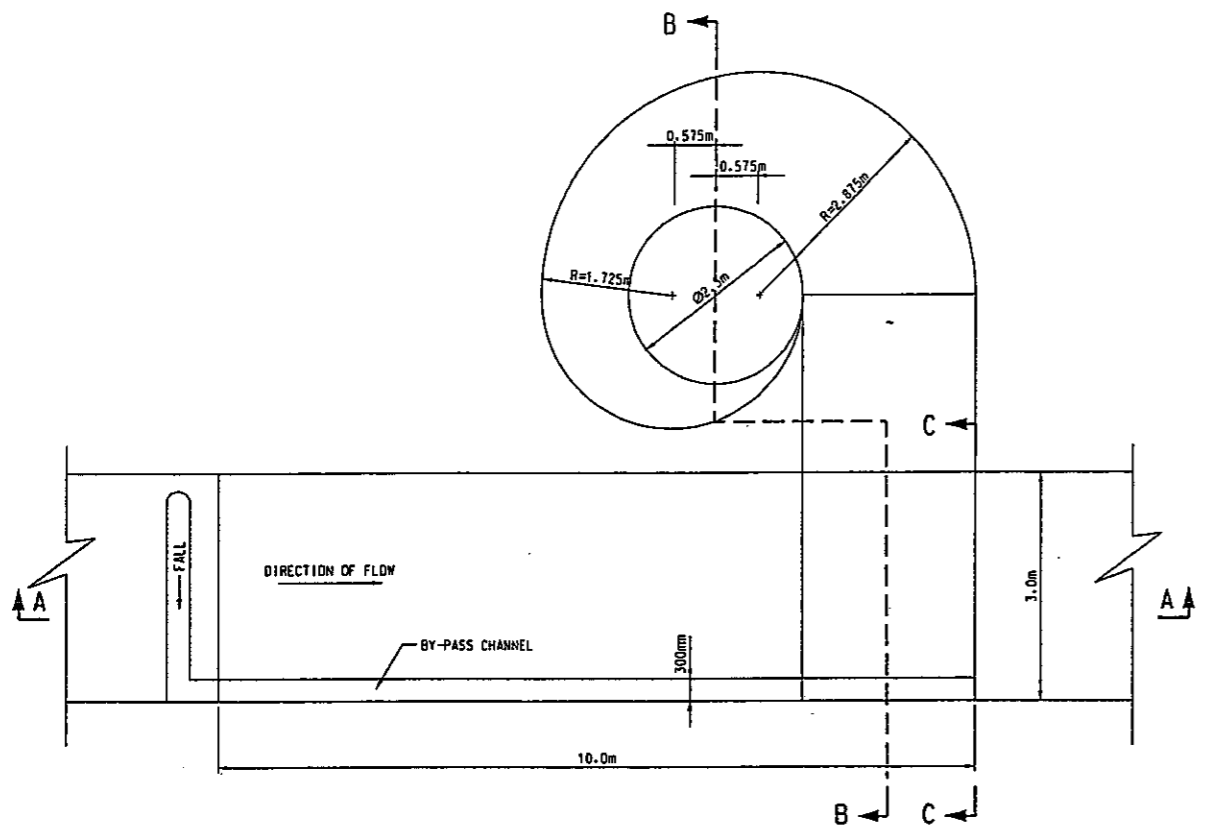
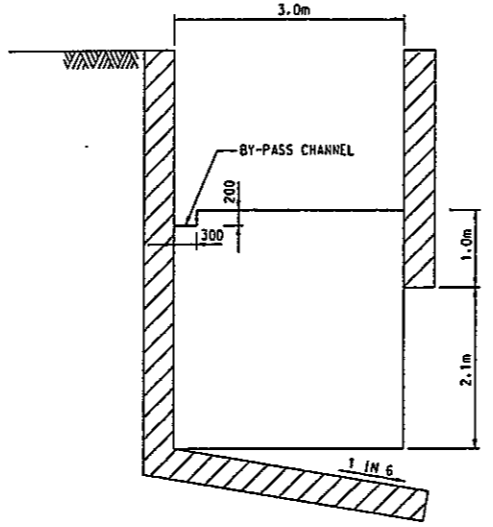


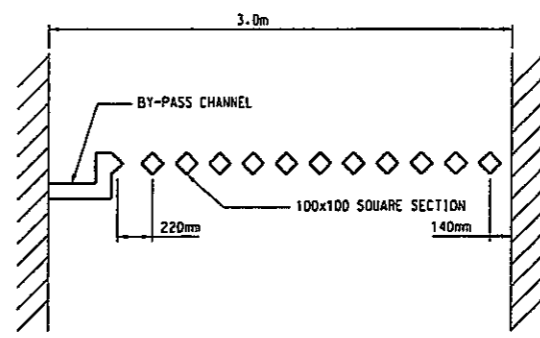
NOTES :  
 1. DIMENSIONS ON THIS DRAWING ARE APPROXIMATE AND SUBJECT TO DETAILED DESIGN.



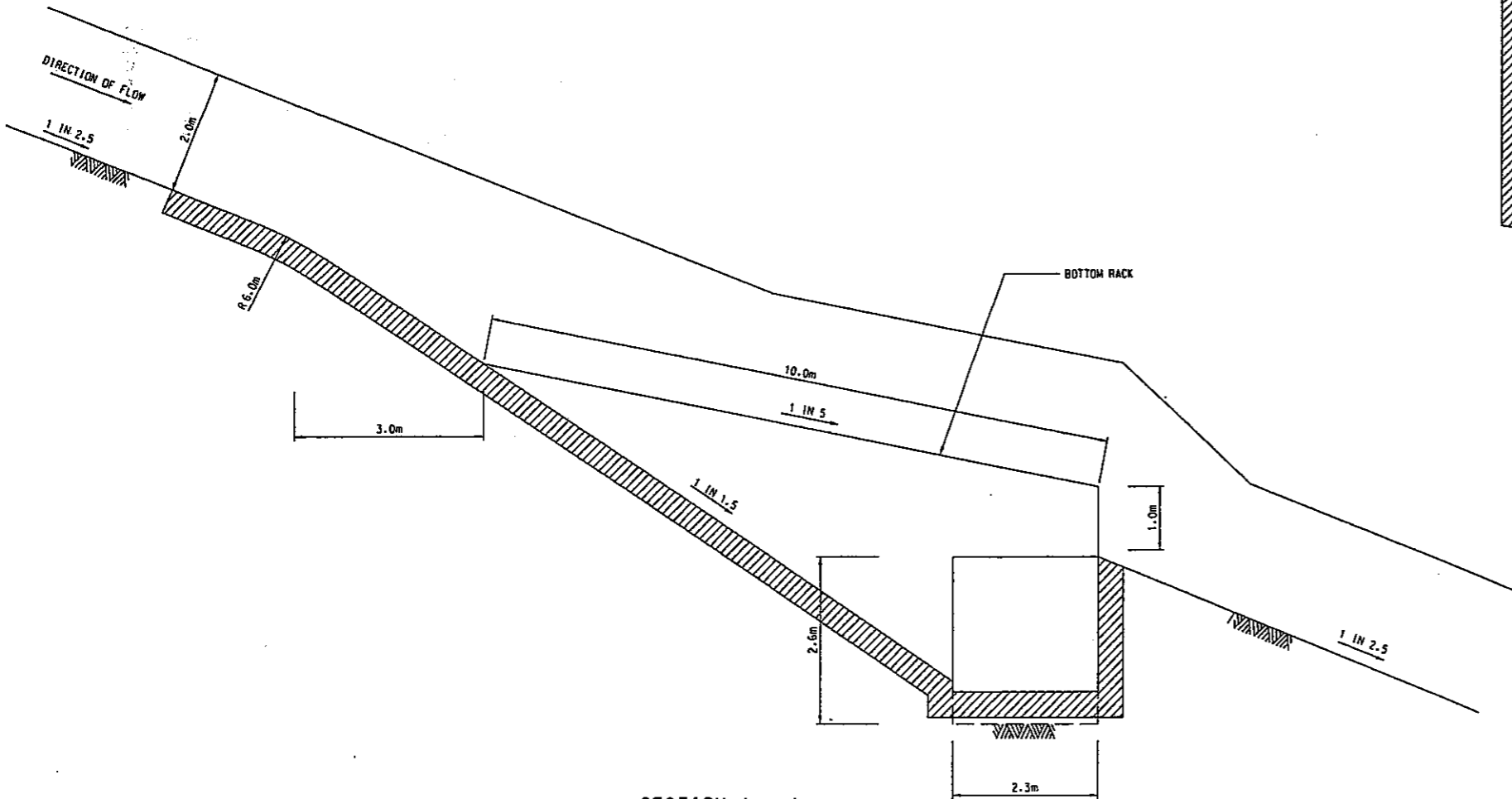
**PLAN**  
 SCALE = 1:100 (A3)



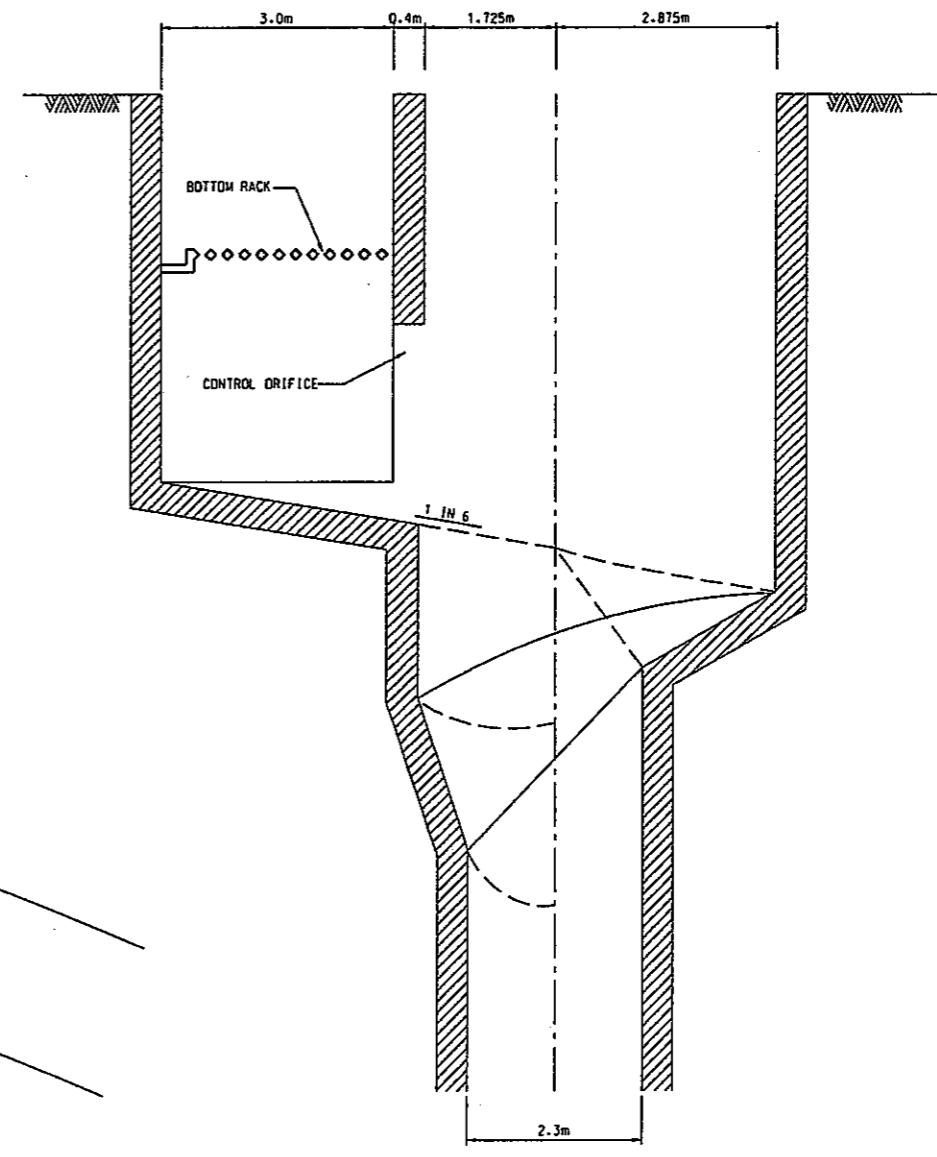
**SECTION C-C**  
 SCALE = 1:100 (A3)



**BOTTOM RACK DETAILS**  
 SCALE = 1:50 (A3)



**SECTION A - A**  
 SCALE = 1:100 (A3)



**SECTION B - B**  
 SCALE = 1:100 (A3)

Revision	Date	Description	Initial
A	03/05	BY-PASS CHANNEL REVISED	TY
	Designed	Checked	Drawn
Initial	LWG	LMF	JT
Date	11/04	11/04	11/04

Agreement no. CE 25/2002 (DS)

Contract title  
 DRAINAGE IMPROVEMENT IN NORTHERN HONG KONG ISLAND - HONG KONG WEST DRAINAGE TUNNEL AND LOWER CATCHMENT IMPROVEMENT - INVESTIGATION

Drawing title  
 TYPICAL INTAKE STRUCTURE LAYOUT AND SECTIONS

Drawing no. FIGURE 2.17  
 Scale AS SHOWN

香港特別行政區政府渠務署  
 THE GOVERNMENT OF THE HONG KONG SPECIAL ADMINISTRATIVE REGION  
 DRAINAGE SERVICES DEPARTMENT