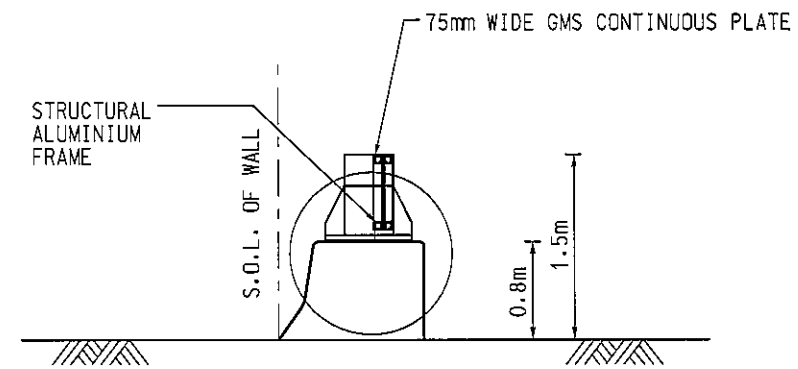


TYPICAL SECTION FOR
PLAIN NOISE BARRIER (2.0M)



TYPICAL SECTION FOR
PLAIN NOISE BARRIER (1.5M)