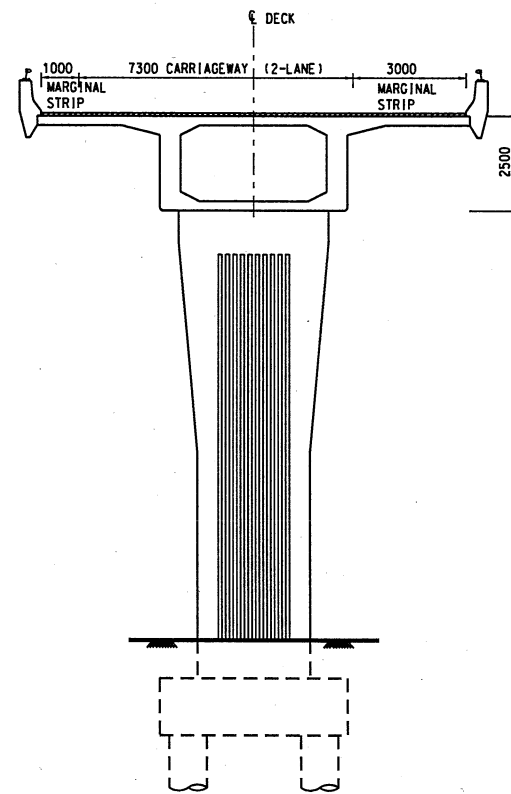
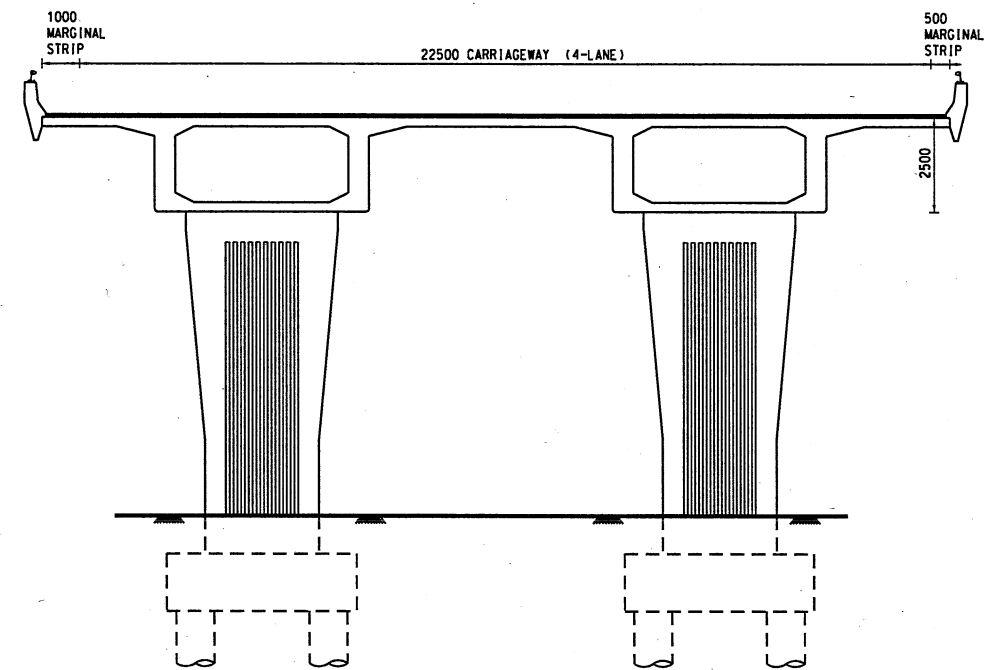


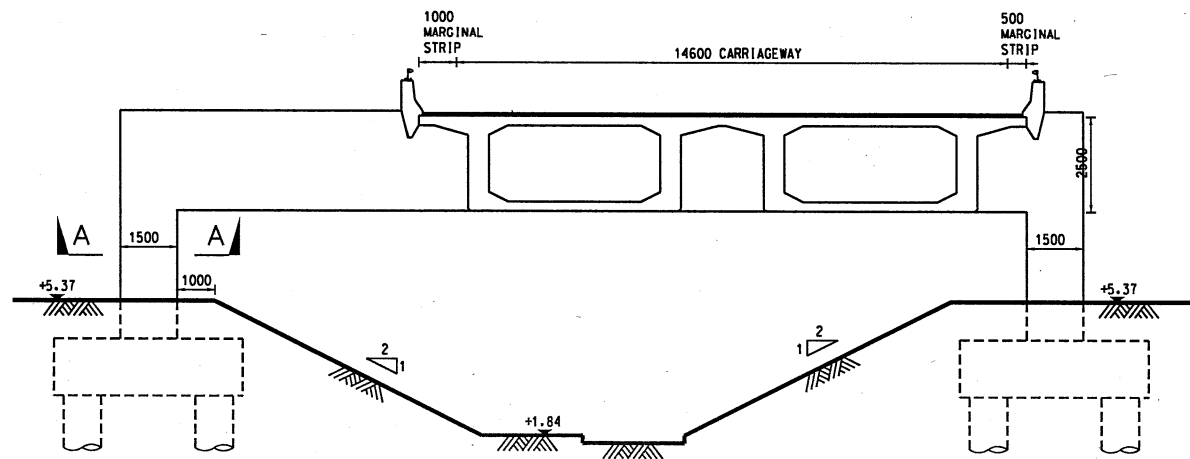
TYPICAL CROSS SECTION OF SLIP ROAD A
SCALE 1 : 100



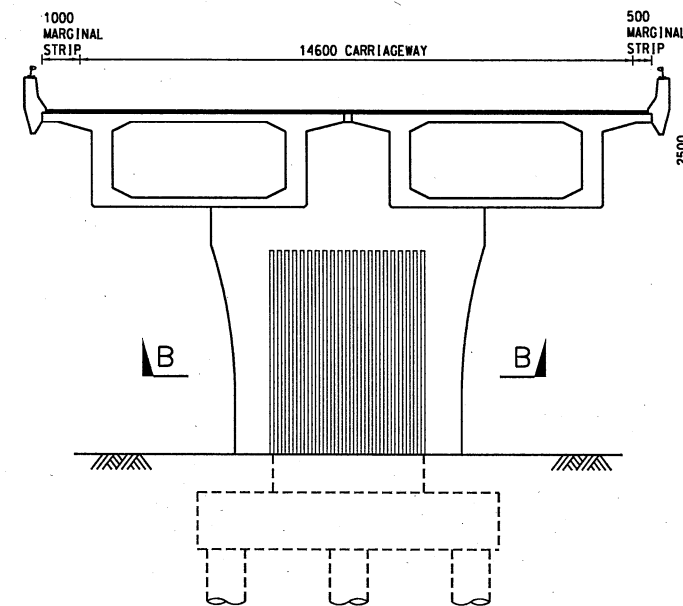
TYPICAL CROSS SECTION OF SLIP ROAD B
SCALE 1 : 100



WIDENED SECTION OF SLIP ROAD F
SCALE 1 : 100



TYPICAL SECTION OF SLIP ROAD F
SCALE 1 : 100



TYPICAL SECTION OF SLIP ROAD F
SCALE 1 : 100

SCALE	A3 1 : 200	DATE	OCT. 2003
CHECK	KYF	DRAWN	TWY
JOB No.	95102	FIGURE No.	FIGURE 2.3
		REV	