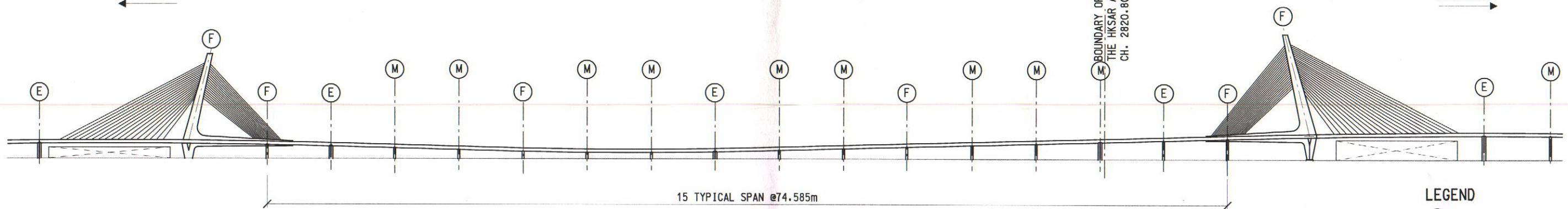


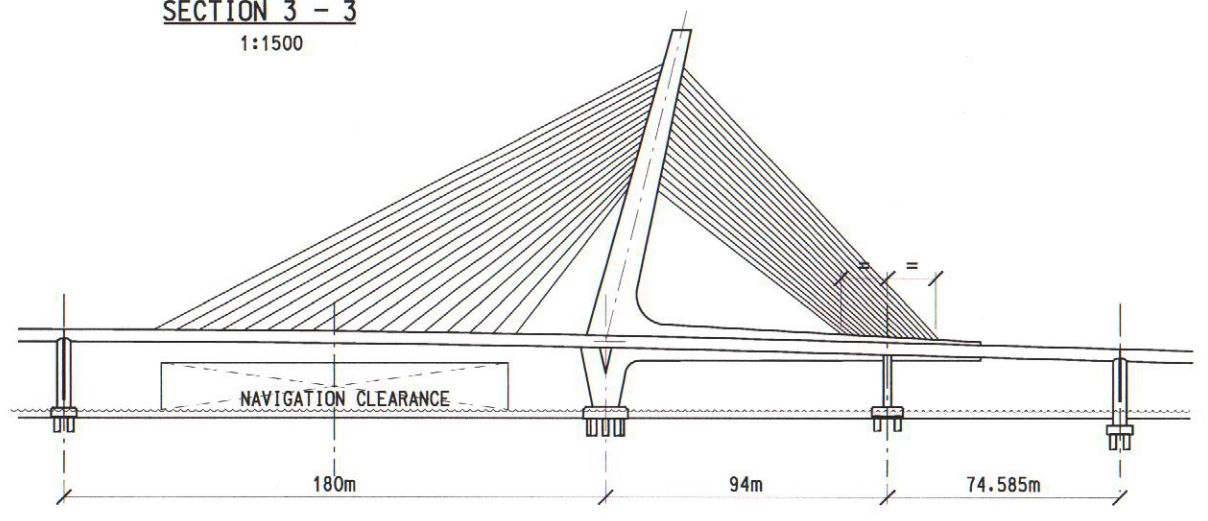
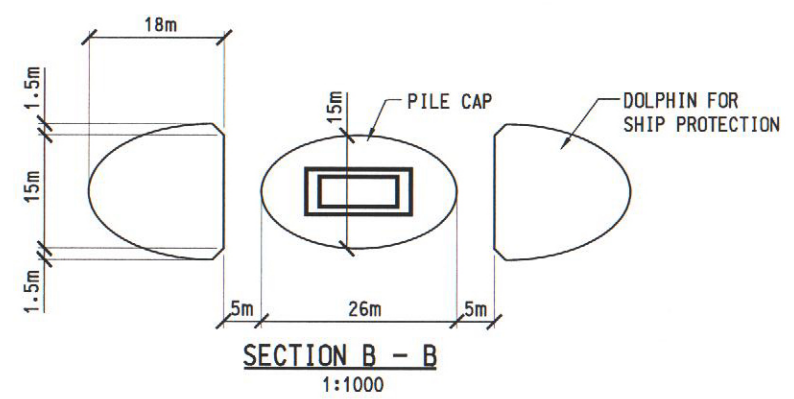
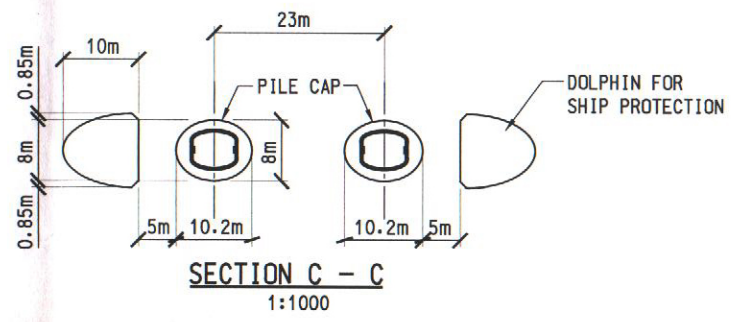
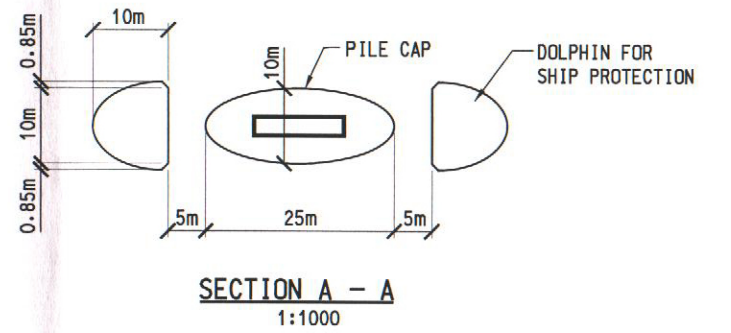
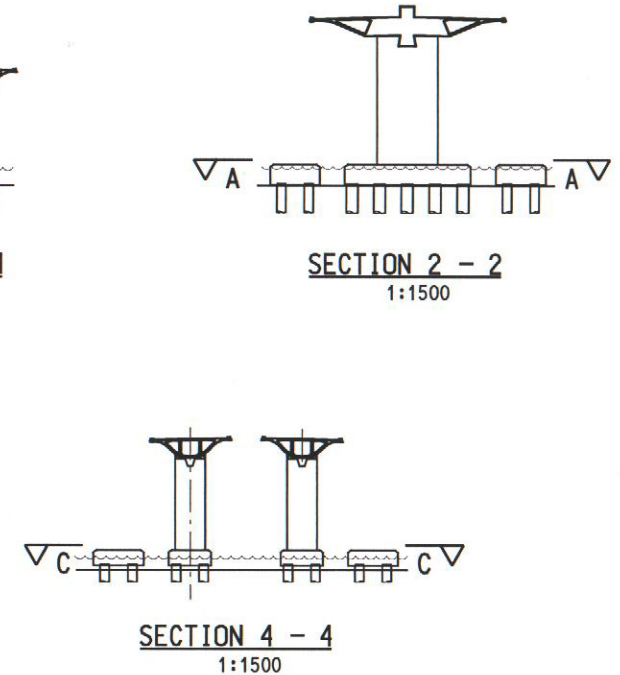
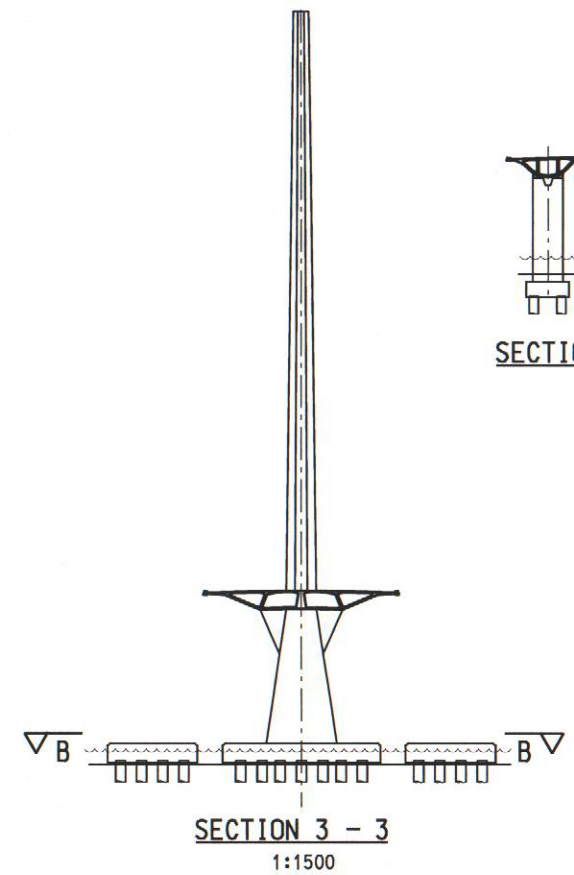
SHENZHEN ←

→ HONG KONG

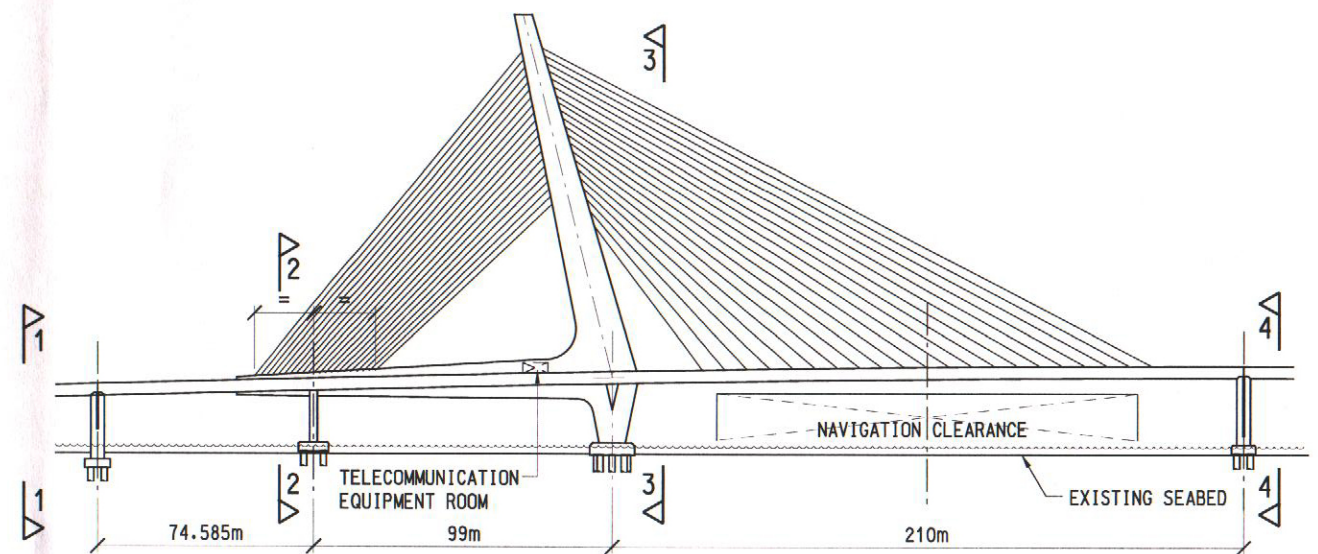


ELEVATION
1:5000

- LEGEND**
- (E) EXPANSION JOINT PIER
 - (M) PIER WITH MOVABLE JOINT
 - (F) FIXED PIER



ELEVATION OF NORTHERN NAVIGATION SPAN
1:2500



ELEVATION OF SOUTHERN NAVIGATION SPAN
1:2500

NOTE : 1. DIMENSIONS SHOWN ARE INDICATIVE ONLY.
 2. ALL DIMENSIONS ARE IN MILLIMETER, UNLESS OTHERWISE STATED

Printer by : W.MAK 25/07/2002
 Filename : j:\23306\WORKING\Draft_Final\FIGES-2-5.dgn

Mark	Date	By	Rev.

Designed By	LHE
Drawn By	EM
Checked By	LHS
In Charge	SYC
Date	OCT-01

路政署
HIGHWAYS DEPARTMENT
 主要工程管理處
 Major Works Project Management Office

Consultant
ARUP 奧雅納工程顧問
 Ove Arup & Partners Hong Kong Limited
 Supported By:
 Environmental Management Ltd.
 BMT Asia Pacific Ltd.
 Urbis Ltd.

Project Title
 Shenzhen Western Corridor
 Investigation & Planning

Drawing Title
MAIN SPANS -
GENERAL ARRANGEMENT

Cad Filename	FIGES-2-5	Cad Date	OCT 2001
Scale	1:5000, 1:2500		
Drawing No.	FIGURE ES2.5		
Drawing Status		Rev.	-