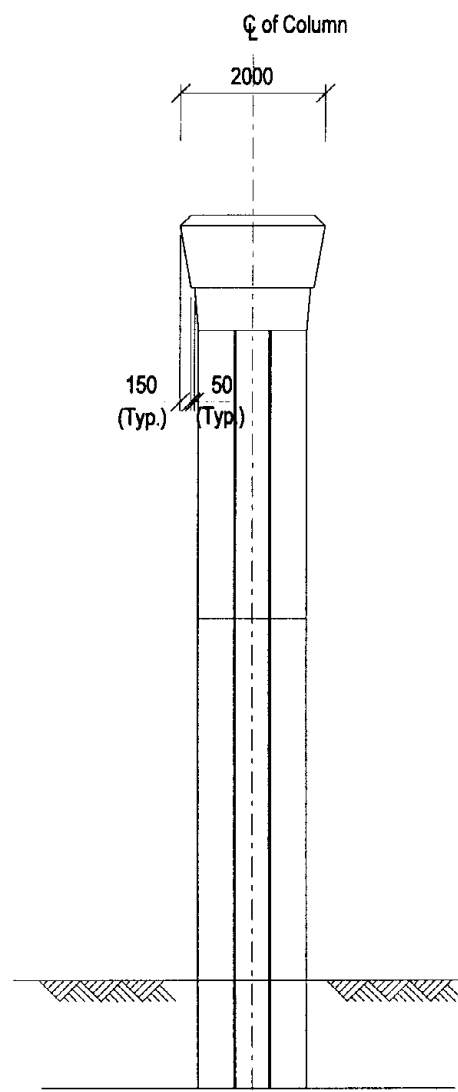
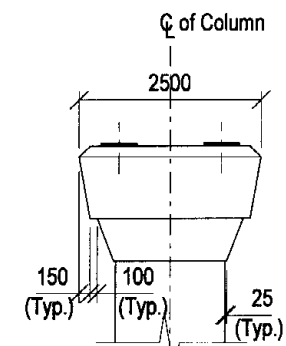


TYPE C COLUMN



ELEVATION



ELEVATION FOR COLUMN HEAD AT BRIDGE MOVEMENT JOINT

