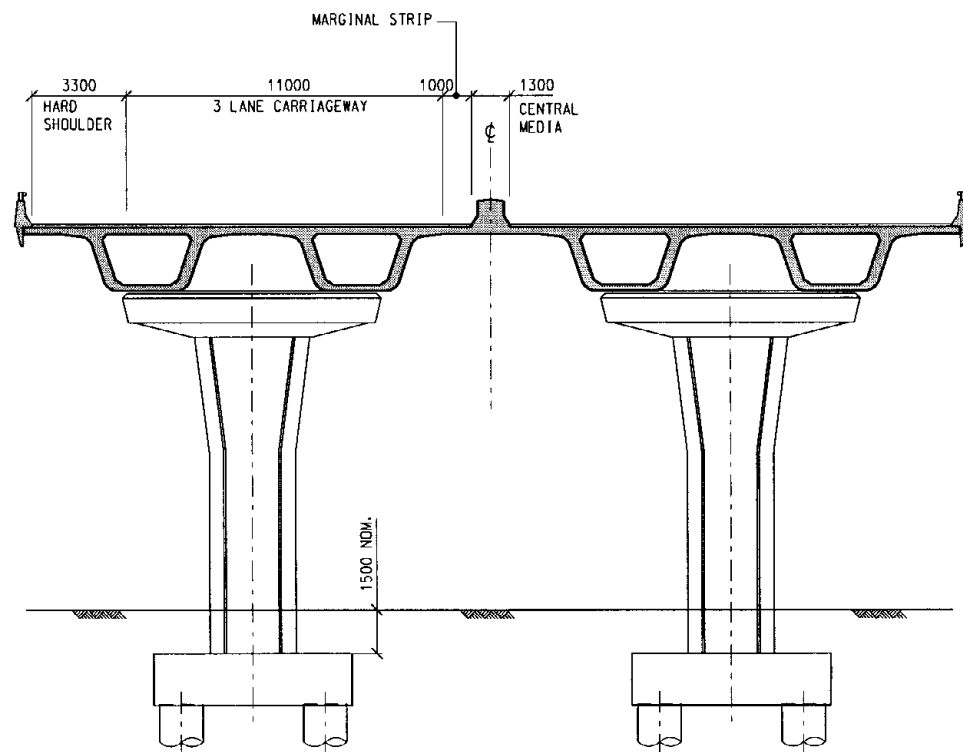
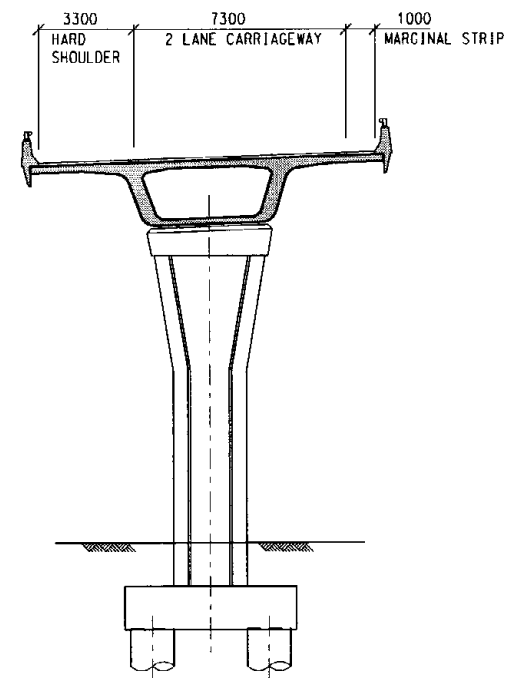


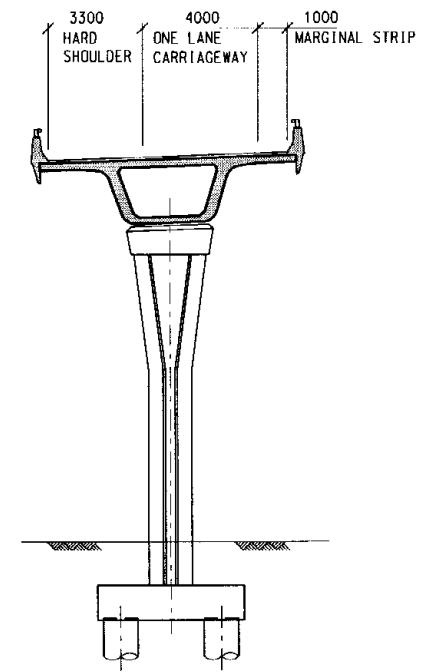
TYPICAL SECTION FOR PORTAL



TYPICAL SECTION FOR MAINLINE STRUCTURES
(DUAL 3 LANE CARRIAGEWAY)



TYPICAL SECTION FOR STRUCTURES
WITH 2 LANE CARRIAGEWAY



TYPICAL SECTION FOR STRUCTURES
WITH ONE LANE CARRIAGEWAY

