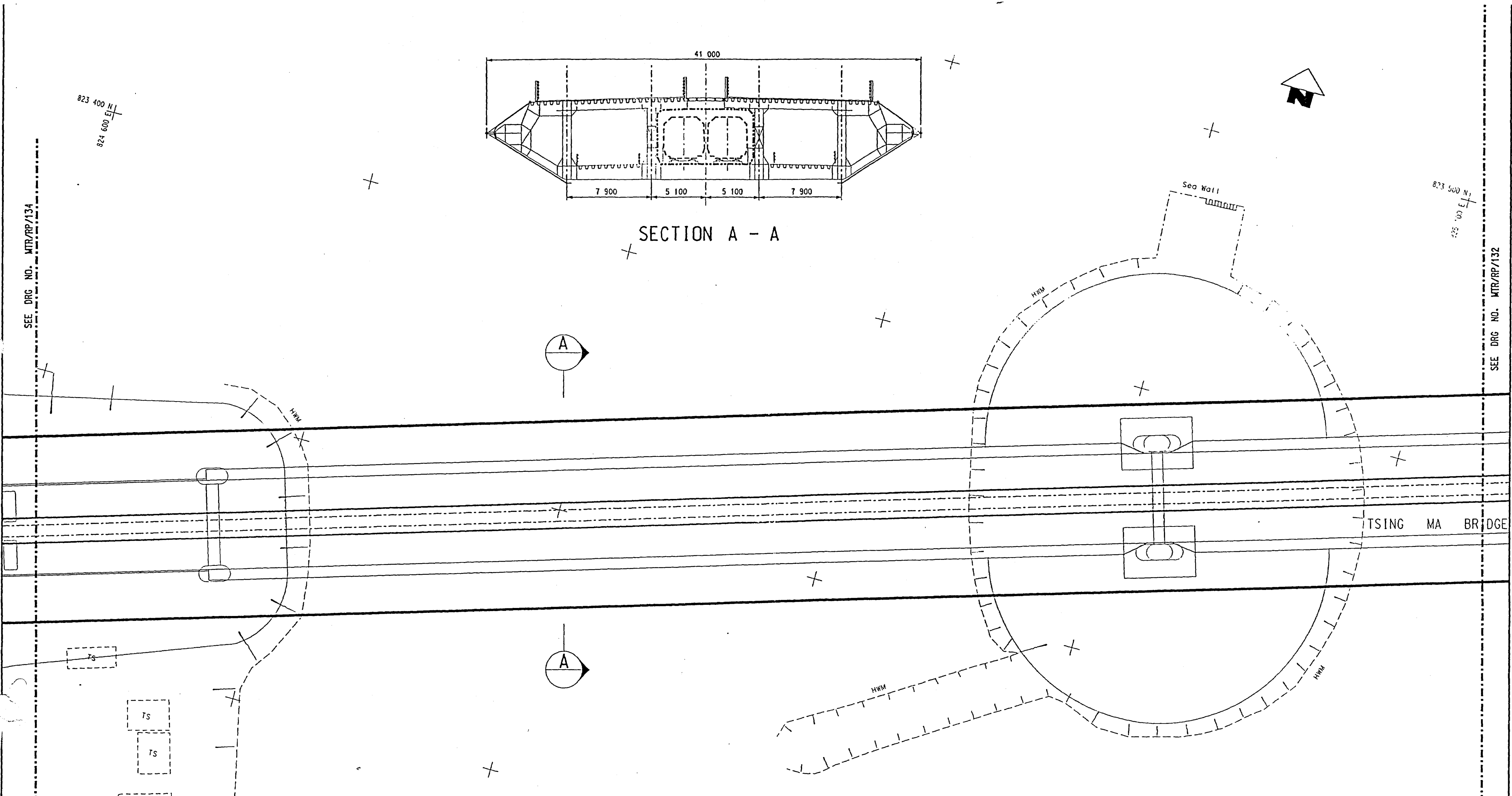


SECTION A - A



SEE DRG NO. MTR/RP/134

SEE DRG NO. MTR/RP/132

LEGEND:

- RAILWAY PROTECTION BOUNDARY (BOUNDARY OF AREA NUMBER 3 OF THE SCHEDULED AREAS)
- MTR STATION ABOVE GROUND ENTRANCES
- MTR UNDERGROUND STRUCTURES/TUNNELS
- MTR VENTILATION SHAFTS
- MTR ABOVE GROUND STRUCTURES/VIADUCTS
- LINE DRAINAGE SUMP
- ABANDONED ACCESS ADIT & SHAFT
- STRUCTURES LESS THAN 3m BELOW GROUND
- WELL WATER FEED SYSTEM
- MTR COOLING WATER MAINS
- DRAINAGE
- WATER PIPE
- RAILWAY FENCE TYPE F1

AREA NUMBER 3 OF THE SCHEDULED AREAS			
MASS TRANSIT RAILWAY (Bowen Leung) RAILWAY PROTECTION PLAN Secretary for Planning, Environment and Lands LANTAU FIXED CROSSING Dated: 29 June 1998			
FIFTH SCHEDULE BUILDINGS ORDINANCE (CAP. 123)	SCALE 1 : 1000 	DRAWING NO. MTR/RP/133	DATE JAN 1998
		<small>MTR CAD REFERENCE NO.</small> RP-107.DGN	<small>REV</small>